

4

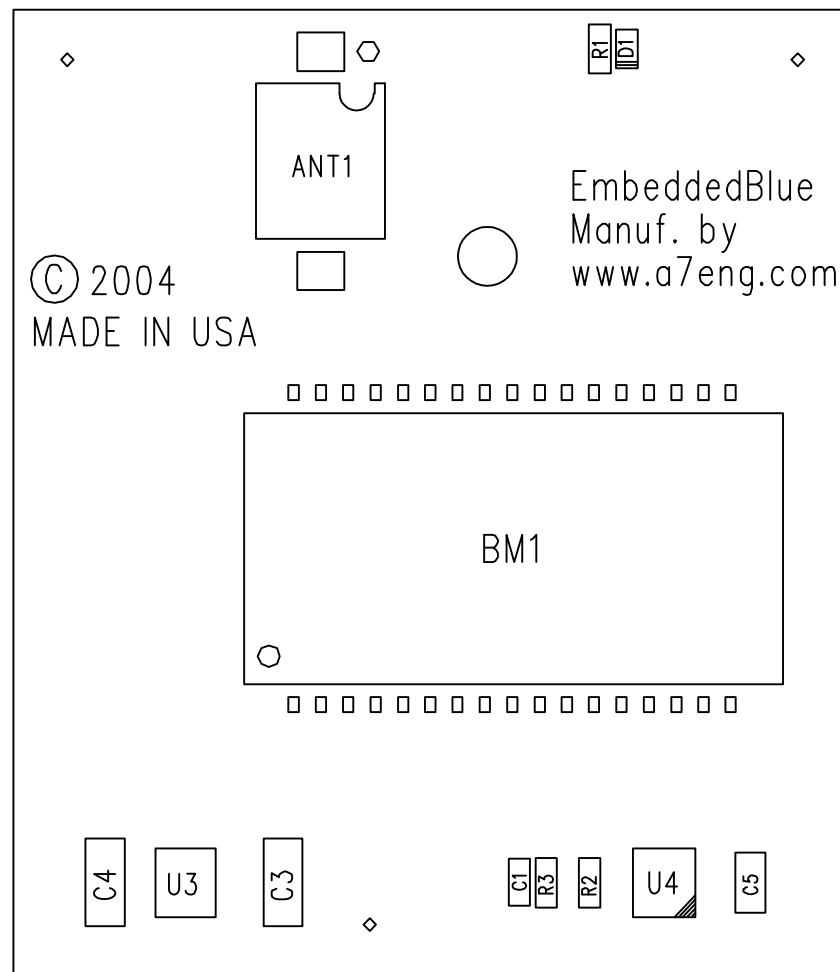
3

DWG NO. 0000048

SH 1 REV. A

1

REVISIONS				
ZONE	REV	DESCRIPTION	DATE	APPROVED
	A	INITIAL RELEASE	APR-1-04	



TOP ASSEMBLY

UNLESS OTHERWISE SPECIFIED DIMENSIONS ARE METRIC. TOLERANCES ARE: FRACTIONS DECIMALS ± .X ±0.1 .XX ±0.01		APPROVALS		DATE	A7 ENGINEERING		
DO NOT SCALE DRAWING		DRAWN AMERICADPCB.COM		4/1/04	TITLE PCB ASSEMBLY EB505		
TREATMENT		ENGINEER B HALL			SIZE DWG NO.		
FINISH		CHECKED			B	0000048	REV A
SIMILAR TO		APPROVED			SCALE: NONE		SHEET 1 OF 2
MARKING SYMBOL		ISSUED			0000048AAT.DWG		

4

3



2

1