



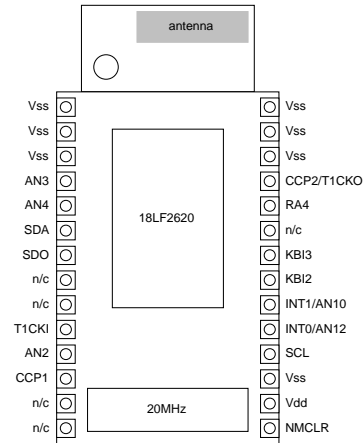
Due Sep 05

ToothPIC Lite™

Low-cost, reduced functionality ToothPIC module for volume applications



phone and module not to scale



Summary

ToothPIC Lite is a PIC microcontroller and BlueMatik radio combination. Its ToothPIC Services firmware includes FlexiPanel user interface server and wireless field programming, but with reduced peripherals and memory storage.

At just 60% of the ToothPIC price, ToothPIC Lite is a pin-for-pin substitute where firmware / user interface storage does not exceed 24K, as compared to the usual 80K. It is supplied code-protected with your firmware preloaded.

Hardware Features

Pin-for-pin compatible with ToothPIC, except:

- 64Kbyte Flash, of which 24K for development..
- 14 I/O pins, including 5 x 10-bit A to D converter, 2 x 10-bit PWM outputs, 4 interrupts
- I2C and SPI communications but no serial UART
- 32kHz oscillator, power regulator, LEDs, pushbutton added externally if required.

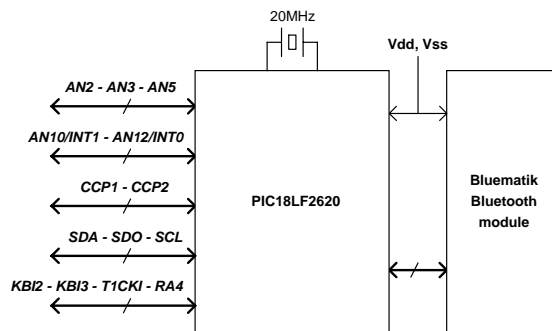
Ordering Information

Part No	Description
	ToothPIC Lite 28-pin Dual-in-Line package – Custom firmware xxx

ToothPIC Services Features

Development using regular ToothPIC and the MPLAB / C18 development environment is recommended, porting to ToothPIC Lite for production. Libraries available for:

- FlexiPanel server – creates user interfaces on computers, PDAs, cellphones with no development needed on remote devices
- Wireless field programming lets developers distribute firmware upgrades electronically
- System services including: Bluetooth communications, interrupt and memory management, sleep-safe real time clock with daylight savings time / day-of-week calculator (32kHz crystal required)



Manufactured to ISO9001:2000

