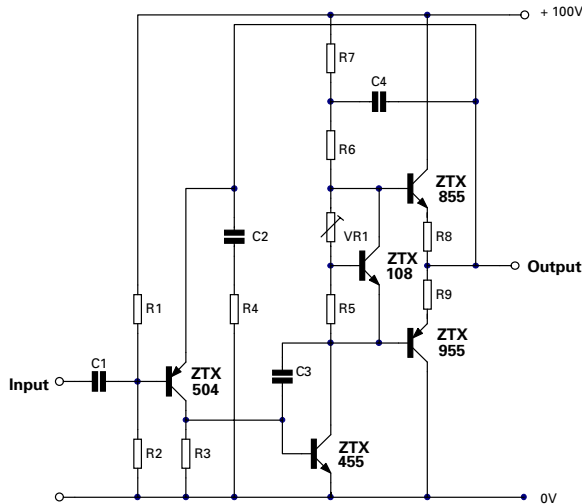


Sonar Transducer Driver using TO92 Style Bipolar Transistors



Depth/Echo sounders require high power linear amplifiers for driving the transducer. Since these amplifiers operate in pulsed mode, the average power dissipation experienced by the output transistors is low, but the value of the pulsed current can be very high. This would normally dictate that high power, large package power transistors would be required, which tends to increase the overall circuit size.

With a peak current capability of 10A, the ZTX855/ZTX955 transistors are

packaged in the TO92 style E-Line package, and permit an output power of 100W to be obtained from this design. Larger and more costly TO220 transistors have been eliminated. The devices possess an F_T figure of over 90MHz, enabling a high bandwidth and slew rate specification.

	BV_{CBO}	BV_{CEO}	$I_C(M)$	$I_C(DC)$	Package
ZTX855	250V	150V	10A	4A	TO92
ZTX955	180V	140V	10A	3A	TO92