

Features

- High precision sliding-type encoder
- Compact design, long life and high reliability
- Low cost compared to optical type encoders
- Available in a wide variety of configurations to meet many user requirements

Applications

- Level control, tuning and timer settings in:
- Audio-visual equipment
 - Consumer electric appliances
 - Radios
 - Musical instrumentation
 - Communications equipment

PEC16 - 16mm Incremental Encoder

Electrical Characteristics

Output	2-bit gray code
Closed Circuit Resistance	3 ohms maximum
Contact Rating	DC5V 1mA
Insulation Resistance	10 megohms at 50V DC
Dielectric Withstanding Voltage.....	AC 50V at 1 minimum
Electrical Travel	Continuous
Contact Bounce (15 RPM).....	5.0 ms. maximum
RPM (Operating)	100 maximum

Environmental Characteristics

Temperature Range	-10°C to +70°C
Vibration.....	30G
Shock.....	100G
Rotational Life	100,000 cycles minimum
Switch Life	20,000 cycles minimum

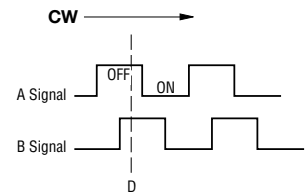
Mechanical Characteristics

Mechanical Angle.....	360° continuous
Torque	30.6 to 204 gcm

How to Order

Model _____	PEC16 - 4 0 20 F - S 0012
Terminal Configuration _____	
2 = PC Pin Vertical/Down Facing	
4 = PC Horizontal/Rear Facing	
Detent Option _____	
0 = No Detents	
1 = 12 Detents	
2 = 24 Detents	
Standard Shaft Length _____	
15 = 15mm	
20 = 20.0 mm	
25 = 25.0mm	
Shaft Style _____	
F = Insulated Flatted Shaft	
Switch Configuration _____	
S = Push Momentary Switch	
N = No Switch	
Resolution _____	
0012 = 12 Pulses per 360° Rotation	
0024 = 24 Pulses per 360° Rotation	

Quadrature Output Table



*Leading
by Design™*

Asia-Pacific:
+886- (0)2 2562-4117
+886- (0)2 2562-4116

Europe:
+41-41 768 5555
+41-41 768 5510

North America:
+1- (1)801 786-6200
+1- (1)801 786-6203

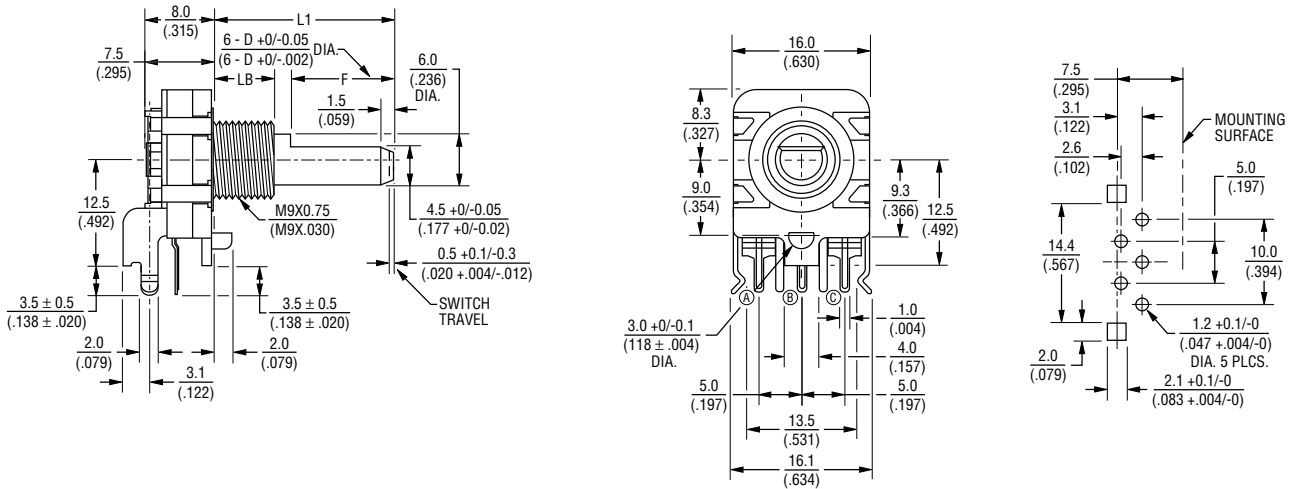
www.bourns.com

PEC16 - 16mm Incremental Encoder

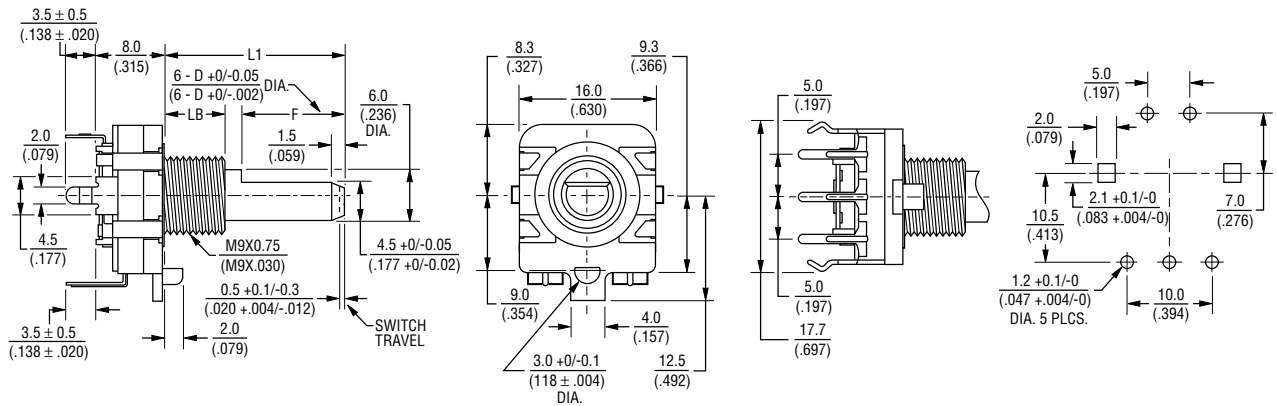
BOURNS®

Product Dimensions

PEC16-2xxxF-Sxxxx



PEC16-4xxxF-Sxxxx



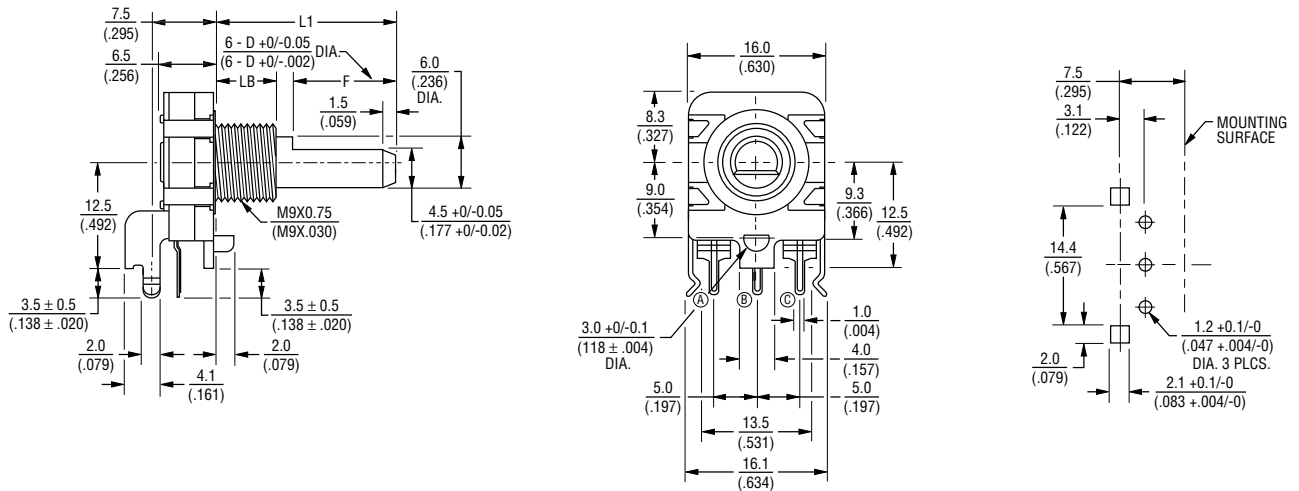
L1	15.0 (.591)	20.0 (.787)	25.0 (.984)
LB	5.0 (.197)	7.0 (.276)	7.0 (.276)
F	7.0 (.276)	12.0 (.472)	12.0 (.472)

PEC16 - 16mm Incremental Encoder

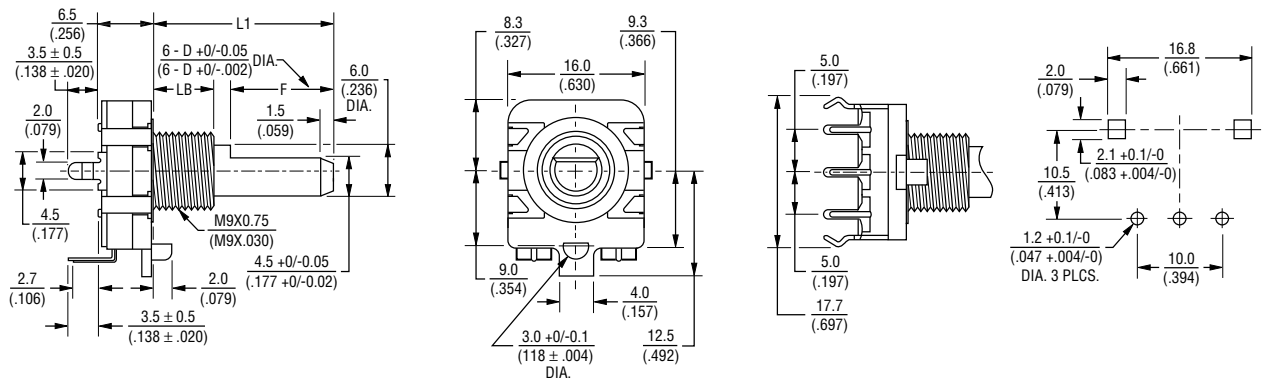
BOURNS®

Product Dimensions

PEC16-2xxxF-Nxxxx



PEC16-4xxxF-Nxxxx



L1	15.0 (.591)	20.0 (.787)	25.0 (.984)
LB	5.0 (.197)	7.0 (.276)	7.0 (.276)
F	7.0 (.276)	12.0 (.472)	12.0 (.472)