

Features

- Miniature package for design flexibility
- Long operating life
- High operating temperature capabilities
- Conductive plastic element
- Bushing or PC board mount
- Quadrature output

3375 - 6mm Square Encoder

Electrical Characteristics

Output2-bit gray code,
 Channel A leads Channel B
 by electrically turning clockwise (CW)
 Closed Circuit Resistance
5 ohms maximum
 Contact Rating
100 milliamp @ 16 VDC maximum
 Insulation Resistance (500 VDC)
1,000 megohms minimum
 Dielectric Withstanding Voltage
 Sea Level900 VAC minimum
 Electrical TravelContinuous
 Contact Bounce
5 milliseconds maximum
 RPM (Operating)120 maximum

Environmental Characteristics

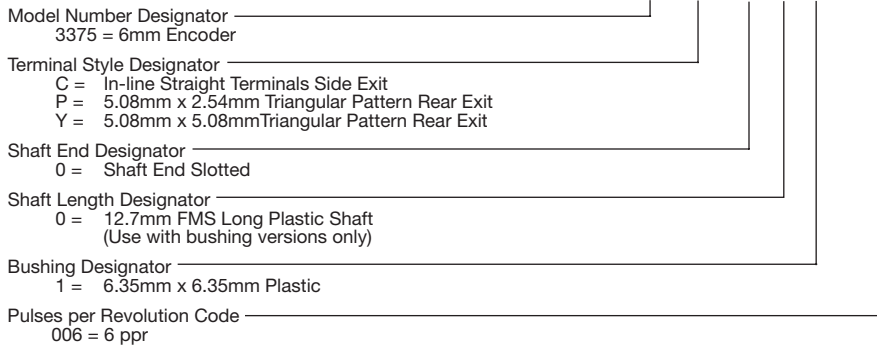
Temperature Range-55°C to +125°C
 Vibration30G
 Contact Bounce5 millisecond
 maximum
 Shock100G
 Contact Bounce5 millisecond
 maximum
 Rotational Life100,000 cycles

Mechanical Characteristics

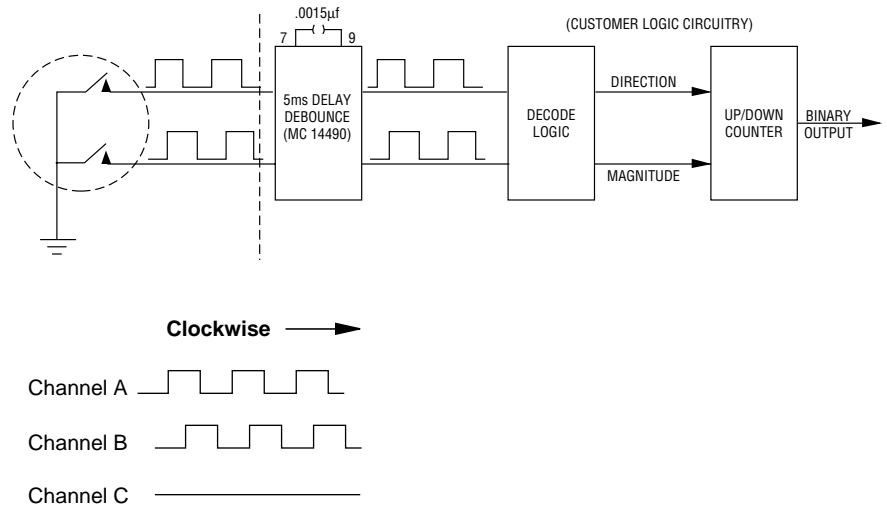
Mechanical AngleContinuous
 Torque5 oz-in. maximum
 MarkingManufacturer's symbol and
 model number, product code,
 terminal style, date code

Part Numbering System

3375 Y - 0 0 1 - 006



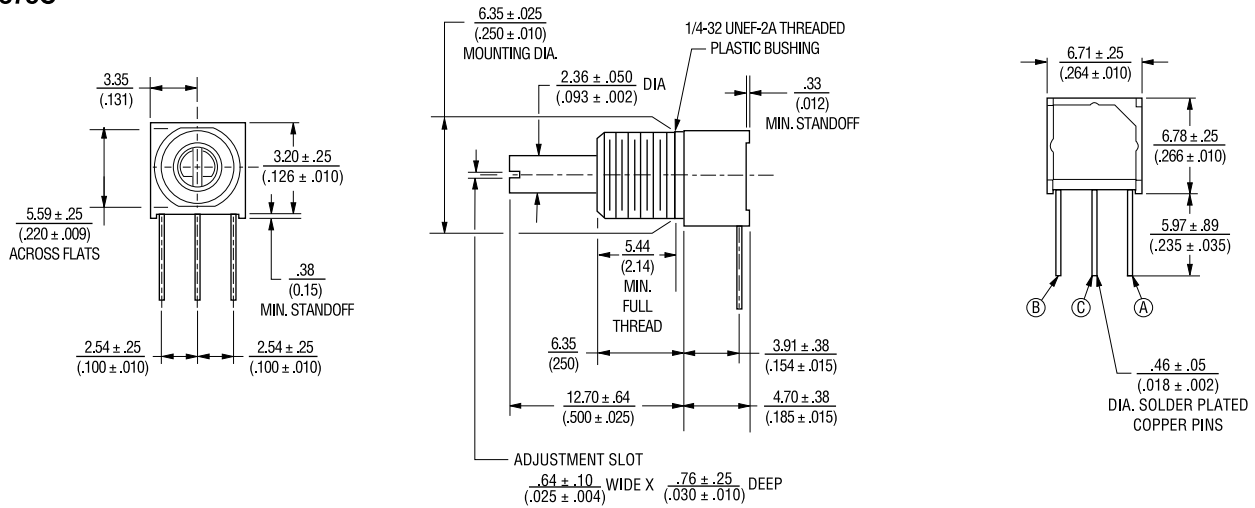
Recommended Incremental Control Diagram



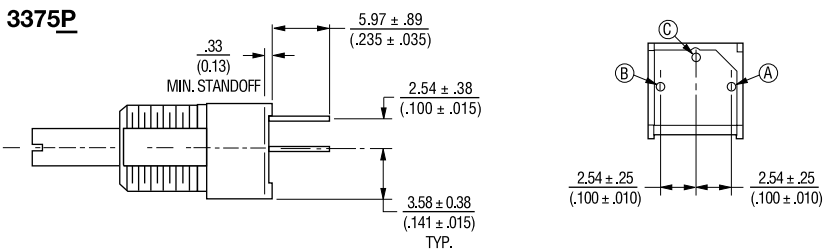
3375 - 6mm Square Encoder

BOURNS®

COMMON DIMENSIONS 3375C



3375P



3375Y

