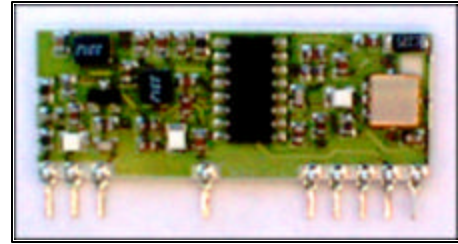


FEATURES

- COMPACT HYBRID MODULE.
- CERAMIC SUBSTRATE
- VERY HIGH FREQUENCY STABILITY
- SAW FILTER FRONT END.
- RECEIVING RANGE UP TO 100 METRES.
- SENSITIVITY TYP -106dBm
- CMOS/TTL COMPATIBLE OUTPUT.
- SINGLE SUPPLY VOLTAGE 5V.
- COMPATIBLE WITH R.F. SOLUTIONS AM TRANSMITTERS.
- IETS 300-220 Compliant

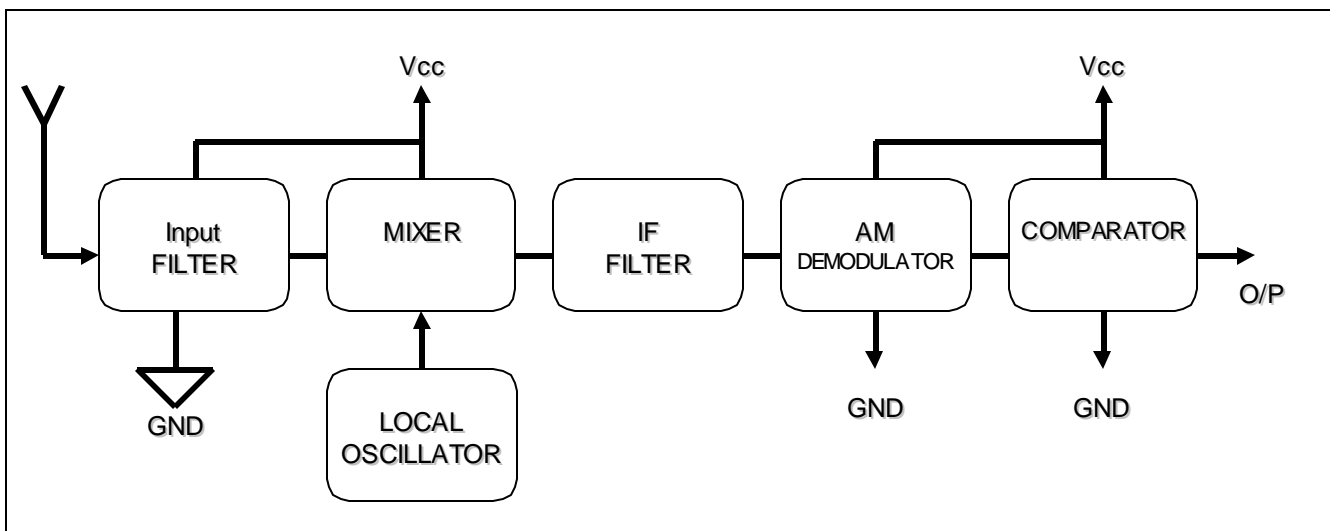


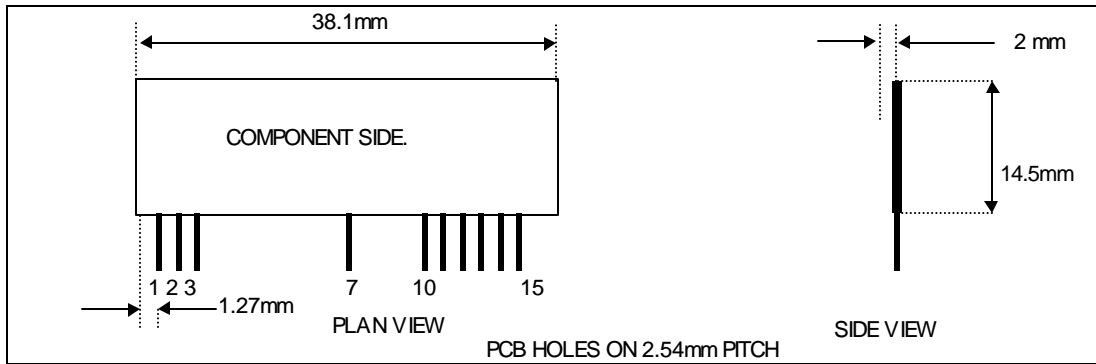
DESCRIPTION

The R.F. Solutions AM Superheterodyne Receiver module offers a compact modular RF receiver, which can be used to capture undecoded data from any equivalent AM Transmitter, such as R.F. Solutions AM-RT4 range of transmitters. (See AM Transmitter data sheet).

The receiver is manufactured on a ceramic substrate incorporates a SAW Filter and pre amplifier front end for maximum sensitivity and reduced EMC emissions. These modules show a very high frequency stability over a wide operating temperature even when subjected to mechanical vibrations or manual handling offering a very cost effective solution.

BLOCK DIAGRAM





Pin Descriptions

Pin No	Pin Name	Pin No	Pin Name
1	+Vcc	10	NC
2	GND	11	GND
3	DATA IN (Antenna)	12	NC
4	NC	13	NC
5	NC	14	DATA OUT
6	NC	15	+VCC
7	GND		

Ambient temperature = 25° Celcius.

ELECTRICAL CHARACTERISTICS	MIN	TYPICAL	MAX	DIMENSION
Supply Voltage (Vcc)	4.5	5	5.5	V
Supply Current		5	6	mA
Receiver Frequency		433.92		MHz
Working Frequency (custom Freq Available)		250-450		MHz
R.F Sensitivity (100% AM)		-106		dBm
3dB Bandwidth		+/-400		KHz
Max Data Rate			3	KHz
Turn on Time (Power on to Data valid)			20	mSecs
Level of Emitted Spectrum		-70	-70	dBm
Low Level Output Voltage			0.6	V
High Level Output Voltage	Vcc-0.5			V
Operating Temperature Range	-25		+80	°C

ORDERING INFORMATION

AM-RRS3-315	Receiver Module 315MHz
AM-RRS3-418	Receiver Module 418MHz
AM-RRS3-433	Receiver Module 433MHz

Should you require further assistance, please call;

R. F. Solutions Ltd.,
Unit 21, Cliffe Industrial Estate,
South Street,
Lewes,
E Sussex, BN8 6JL. England.
Tel +44 (0)1273 898 000. Fax +44 (0)1273 480 661.

Email sales@rfsolutions.co.uk

<http://www.rfsolutions.co.uk>

RF Solutions is a member of the Low Power Radio Association.

