

EVALUATION KIT  
AVAILABLE**MAXIM**

# Multirange, +5V, 12-Bit DAS with 2-Wire Serial Interface

## General Description

The MAX127/MAX128 are multirange, 12-bit data acquisition systems (DAS) that require only a single +5V supply for operation, yet accept signals at their analog inputs that may span above the power-supply rail and below ground. These systems provide eight analog input channels that are independently software programmable for a variety of ranges:  $\pm 10V$ ,  $\pm 5V$ , 0 to +10V, 0 to +5V for the MAX127; and  $\pm V_{REF}$ ,  $\pm V_{REF}/2$ , 0 to + $V_{REF}$ , 0 to + $V_{REF}/2$  for the MAX128. This range switching increases the effective dynamic range to 14 bits and provides the flexibility to interface 4–20mA,  $\pm 12V$ , and  $\pm 15V$ -powered sensors directly to a single +5V system. In addition, these converters are fault protected to  $\pm 16.5V$ ; a fault condition on any channel will **not** affect the conversion result of the selected channel. Other features include a 5MHz bandwidth track/hold, an 8ksps throughput rate, and the option of an internal 4.096V or external reference.

The MAX127/MAX128 feature a 2-wire, I<sup>2</sup>C-compatible serial interface that allows communication among multiple devices using SDA and SCL lines.

A hardware shutdown input ( $\overline{SHDN}$ ) and two software-programmable power-down modes (standby and full power-down) are provided for low-current shutdown between conversions. In standby mode, the reference-buffer remains active, eliminating start-up delays.

The MAX127/MAX128 are available in 24-pin DIP or space-saving 28-pin SSOP packages.

## Applications

Industrial Control Systems  
Data-Acquisition Systems  
Robotics  
Automatic Testing  
Battery-Powered Instruments  
Medical Instruments

## Ordering Information

| PART       | TEMP. RANGE  | PIN-PACKAGE           | INL (LSB) |
|------------|--------------|-----------------------|-----------|
| MAX127ACNG | 0°C to +70°C | 24 Narrow Plastic DIP | $\pm 1/2$ |
| MAX127ACNG | 0°C to +70°C | 24 Narrow Plastic DIP | $\pm 1$   |

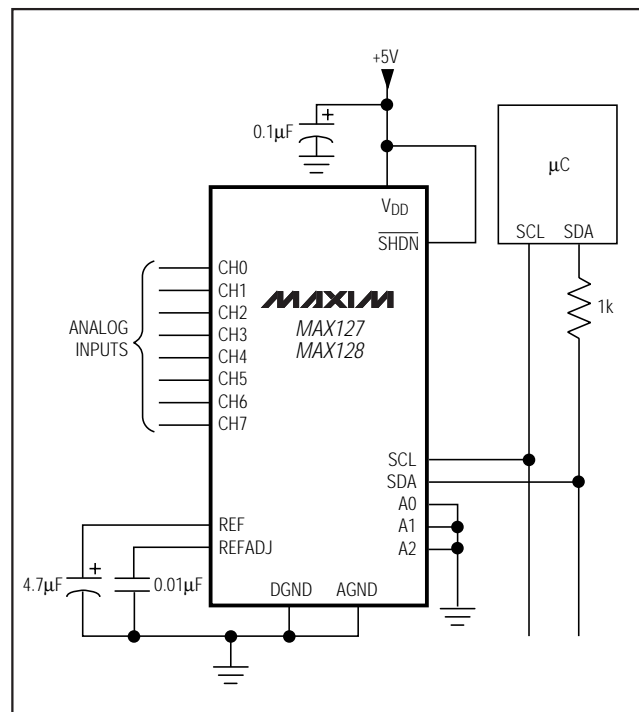
Ordering Information continued at end of data sheet.

## Features

- ◆ 12-Bit Resolution, 1/2 LSB Linearity
- ◆ +5V Single-Supply Operation
- ◆ I<sup>2</sup>C-Compatible, 2-Wire Serial Interface
- ◆ Four Software-Selectable Input Ranges  
MAX127: 0 to +10V, 0 to +5V,  $\pm 10V$ ,  $\pm 5V$   
MAX128: 0 to + $V_{REF}$ , 0 to + $V_{REF}/2$ ,  $\pm V_{REF}$ ,  $\pm V_{REF}/2$
- ◆ 8 Analog Input Channels
- ◆ 8ksps Sampling Rate
- ◆  $\pm 16.5V$  Overvoltage-Tolerant Input Multiplexer
- ◆ Internal 4.096V or External Reference
- ◆ Two Power-Down Modes
- ◆ 24-Pin Narrow DIP or 28-Pin SSOP Packages

MAX127/MAX128

## Typical Operating Circuit



Pin Configurations appear at end of data sheet.

**MAXIM**

Maxim Integrated Products 1

For free samples & the latest literature: <http://www.maxim-ic.com>, or phone 1-800-998-8800.  
For small orders, phone 408-737-7600 ext. 3468.

# Multirange, +5V, 12-Bit DAS with 2-Wire Serial Interface

## ABSOLUTE MAXIMUM RATINGS

|                                |                                   |   |
|--------------------------------|-----------------------------------|---|
| V <sub>DD</sub> to AGND.....   | -0.3V to +6V                      | Continuous Power Dissipation (T <sub>A</sub> = +70°C) |
| AGND to DGND.....              | -0.3V to +0.3V                    | 24-Pin Narrow DIP (derate 13.33mW/°C above +70°C)..   |
| CH0-CH7 to AGND .....          | ±16.5V                            | 28-Pin SSOP (derate 9.52mW/°C above +70°C) .....      |
| REF to AGND.....               | -0.3V to (V <sub>DD</sub> + 0.3V) | Operating Temperature Ranges                          |
| REFADJ to AGND.....            | -0.3V to (V <sub>DD</sub> + 0.3V) | MAX127_ C_ /MAX128_ C_ .....                          |
| A0, A1, A2 to DGND.....        | -0.3V to (V <sub>DD</sub> + 0.3V) | MAX127_ E_ /MAX128_ E_ .....                          |
| SHDN, SCL, SDA to DGND.....    | -0.3V to +6V                      | Storage Temperature Range .....                       |
| Max Current into Any Pin ..... | 50mA                              | Lead Temperature (soldering, 10sec) .....             |

Stresses beyond those listed under "Absolute Maximum Ratings" may cause permanent damage to the device. These are stress ratings only, and functional operation of the device at these or any other conditions beyond those indicated in the operational sections of the specifications is not implied. Exposure to absolute maximum rating conditions for extended periods may affect device reliability.

## ELECTRICAL CHARACTERISTICS

(V<sub>DD</sub> = +5V ±5%; unipolar/bipolar range; external reference mode, V<sub>REF</sub> = 4.096V; 4.7μF at REF; external clock, f<sub>CLK</sub> = 400kHz; T<sub>A</sub> = T<sub>MIN</sub> to T<sub>MAX</sub>; unless otherwise noted. Typical values are at T<sub>A</sub> = +25°C.)

| PARAMETER   | SYMBOL   | CONDITIONS                           | MIN | TYP | MAX  | UNITS  |
|---|----------|--------------------------------------|-----|-----|------|--------|
| <b>ACCURACY</b> (Note 1)  |          |                                      |     |     |      |        |
| Resolution  |          |                                      | 12  |     |      | Bits   |
| Integral Nonlinearity   | INL      | MAX127A/MAX128A                      |     |     | ±1/2 | LSB    |
|   |          | MAX127B/MAX128B                      |     |     | ±1   |        |
| Differential Nonlinearity   | DNL      |                                      |     |     | ±1   | LSB    |
| Offset Error  | Unipolar | MAX127A/MAX128A                      |     |     | ±3   | LSB    |
|   |          | MAX127B/MAX128B                      |     |     | ±5   |        |
|   | Bipolar  | MAX127A/MAX128A                      |     |     | ±5   |        |
|   |          | MAX127B/MAX128B                      |     |     | ±10  |        |
| Channel-to-Channel Offset Error Matching  |          | Unipolar                             |     |     | ±0.1 | LSB    |
|   |          | Bipolar                              |     |     | ±0.3 |        |
| Gain Error (Note 2)   | Unipolar | MAX127A/MAX128A                      |     |     | ±7   | LSB    |
|   |          | MAX127B/MAX128B                      |     |     | ±10  |        |
|   | Bipolar  | MAX127A/MAX128A                      |     |     | ±7   |        |
|   |          | MAX127B/MAX128B                      |     |     | ±10  |        |
| Gain Tempco (Note 2)  |          | Unipolar                             |     |     | 3    | ppm/°C |
|   |          | Bipolar                              |     |     | 5    |        |
| <b>DYNAMIC SPECIFICATIONS</b> (800Hz sine-wave input, ±10Vp-p (MAX127) or ±4.096Vp-p (MAX128), f <sub>SAMPLE</sub> = 8ksps) |          |                                      |     |     |      |        |
| Signal-to-Noise plus Distortion Ratio   | SINAD    |                                      | 70  |     |      | dB     |
| Total Harmonic Distortion   | THD      | Up to the 5th harmonic               |     | -87 | -80  | dB     |
| Spurious-Free Dynamic Range   | SFDR     |                                      | 81  |     |      | dB     |
| Channel-to-Channel Crosstalk  |          | 4kHz, V <sub>IN</sub> = ±5V (Note 3) |     |     | -86  | dB     |
|   |          | DC, V <sub>IN</sub> = ±16.5V         |     |     | -96  |        |
| Aperture Delay  |          |                                      |     | 200 |      | ns     |
| Aperture Jitter   |          |                                      |     | 10  |      | ns     |

# Multirange, +5V, 12-Bit DAS with 2-Wire Serial Interface

MAX127/MAX128

## ELECTRICAL CHARACTERISTICS (continued)

(V<sub>DD</sub> = +5V ±5%; unipolar/bipolar range; external reference mode, V<sub>REF</sub> = 4.096V; 4.7μF at REF pin; external clock, f<sub>CLK</sub> = 400kHz; T<sub>A</sub> = T<sub>MIN</sub> to T<sub>MAX</sub>; unless otherwise noted. Typical values are at T<sub>A</sub> = +25°C.)

| PARAMETER                    | SYMBOL                                | CONDITIONS                |   | MIN                        | TYP                  | MAX   | UNITS            |    |                     |
|------------------------------|---------------------------------------|---------------------------|---|----------------------------|----------------------|-------|------------------|----|---------------------|
| <b>ANALOG INPUT</b>          |                                       |                           |   |                            |                      |       |                  |    |                     |
| Track/Hold Acquisition Time  |                                       |                           |   |                            |                      | 3     | μs               |    |                     |
| Small-Signal Bandwidth       |                                       | -3dB rolloff              | ±10V or ±V <sub>REF</sub> range           |                            |                      | 5     | MHz              |    |                     |
|                              |                                       |                           | ±5V or ±V <sub>REF</sub> /2 range         |                            |                      | 2.5   |                  |    |                     |
|                              |                                       |                           | 0 to 10V or 0 to V <sub>REF</sub> range   |                            |                      | 2.5   |                  |    |                     |
|                              |                                       |                           | 0 to 5V or 0 to V <sub>REF</sub> /2 range |                            |                      | 1.25  |                  |    |                     |
| Input Voltage Range          | V <sub>IN</sub>                       | Unipolar, Table 3         | MAX127                                    |                            | 0                    |       | 10               | V  |                     |
|                              |                                       |                           | MAX128                                    |                            | 0                    |       | V <sub>REF</sub> |    |                     |
|                              |                                       | Bipolar, Table 3          | MAX127                                    |                            | -10                  |       |                  |    | 10                  |
|                              |                                       |                           | MAX128                                    |                            | -V <sub>REF</sub>    |       |                  |    | V <sub>REF</sub>    |
|                              |                                       |                           |   |                            | -5                   |       |                  |    | 5                   |
|                              |                                       |                           |   |                            | -V <sub>REF</sub> /2 |       |                  |    | V <sub>REF</sub> /2 |
| Input Current                | I <sub>IN</sub>                       | Unipolar                  | MAX127                                    | 0 to 10V range             | -10                  |       | 720              | μA |                     |
|                              |                                       |                           |   | 0 to 5V range              | -10                  |       | 360              |    |                     |
|                              |                                       | Bipolar                   | MAX127                                    | ±10V range                 |                      | -1200 |                  |    | 720                 |
|                              |                                       |                           |   | ±5V range                  |                      | -600  |                  |    | 360                 |
|                              |                                       |                           |   | ±V <sub>REF</sub> range    |                      | -1200 |                  |    | 10                  |
|                              |                                       |                           |   | ±V <sub>REF</sub> /2 range |                      | -600  |                  |    | 10                  |
| Input Resistance             | $\frac{\Delta V_{IN}}{\Delta I_{IN}}$ | Unipolar                  |   |                            | 21                   |       | kΩ               |    |                     |
|                              |                                       | Bipolar                   |   |                            | 16                   |       |                  |    |                     |
| Input Capacitance            |                                       | (Note 4)                  |   |                            |                      | 40    | pF               |    |                     |
| <b>INTERNAL REFERENCE</b>    |                                       |                           |   |                            |                      |       |                  |    |                     |
| REFOUT Voltage               | V <sub>REF</sub>                      | T <sub>A</sub> = +25°C    |   | 4.076                      | 4.096                | 4.116 | V                |    |                     |
| REFOUT Tempco                | TC V <sub>REF</sub>                   | MAX127_C/MAX128_C         |   | ±15                        |                      |       | ppm/°C           |    |                     |
|                              |                                       | MAX127_E/MAX128_E         |   | ±30                        |                      |       |                  |    |                     |
| Output Short-Circuit Current |                                       |                           |   |                            |                      | 30    | mA               |    |                     |
| Load Regulation (Note 5)     |                                       | 0 to 0.5mA output current |   |                            |                      | 10    | mV               |    |                     |
| Capacitive Bypass at REF     |                                       |                           |   | 4.7                        |                      |       | μF               |    |                     |
| REFADJ Output Voltage        |                                       |                           |   | 2.465                      | 2.500                | 2.535 | V                |    |                     |
| REFADJ Adjustment Range      |                                       | Figure 12                 |   |                            | ±1.5                 |       | %                |    |                     |
| Buffer Voltage Gain          |                                       |                           |   |                            | 1.638                |       | V/V              |    |                     |

# Multirange, +5V, 12-Bit DAS with 2-Wire Serial Interface

## ELECTRICAL CHARACTERISTICS (continued)

( $V_{DD} = +5V \pm 5\%$ ; unipolar/bipolar range; external reference mode,  $V_{REF} = 4.096V$ ;  $4.7\mu F$  at REF pin; external clock,  $f_{CLK} = 400kHz$ ;  $T_A = T_{MIN}$  to  $T_{MAX}$ ; unless otherwise noted. Typical values are at  $T_A = +25^\circ C$ .)

| PARAMETER  | SYMBOL     | CONDITIONS                                      |                                    | MIN            | TYP       | MAX       | UNITS     |
|--|------------|---|------------------------------------|----------------|-----------|-----------|-----------|
| <b>REFERENCE INPUT</b> (buffer disabled, reference input applied to REF) |            |   |                                    |                |           |           |           |
| Input Voltage Range  |            |   |                                    | 2.4            |           | 4.18      | V         |
| Input Current  |            | $V_{REF} = 4.18V$                               | Normal, or STANDBY power-down mode |                |           | 400       | $\mu A$   |
|  |            |   | FULL power-down mode               |                |           | 1         |           |
| Input Resistance   |            |   | Normal or STANDBY power-down mode  | 10             |           |           | $k\Omega$ |
|  |            |   | FULL power-down mode               | 5              |           |           | $M\Omega$ |
| REFADJ Threshold for Buffer Disable                                      |            |   |                                    | $V_{DD} - 0.5$ |           |           | V         |
| <b>POWER REQUIREMENTS</b>  |            |   |                                    |                |           |           |           |
| Supply Voltage   | $V_{DD}$   |   |                                    | 4.75           |           | 5.25      | V         |
| Supply Current   | $I_{DD}$   |   | Normal mode, bipolar ranges        |                |           | 18        | $mA$      |
|  |            |   | Normal mode, unipolar ranges       |                | 6         | 10        |           |
|  |            |   | STANDBY power-down mode (Note 6)   |                | 700       | 850       |           |
|  |            |   | FULL power-down mode               |                | 120       | 220       | $\mu A$   |
| Power-Supply Rejection Ratio (Note 7)                                    | PSRR       |   | External reference = 4.096V        |                | $\pm 0.1$ | $\pm 0.5$ | LSB       |
|  |            |   | Internal reference                 |                | $\pm 0.5$ |           |           |
| <b>TIMING</b>  |            |   |                                    |                |           |           |           |
| External Clock Frequency Range   | $f_{CLK}$  |   |                                    |                |           | 0.4       | MHz       |
| Conversion Time  | $t_{CONV}$ |   |                                    | 6.0            | 7.7       | 10.0      | $\mu s$   |
| Throughput Rate  |            |   |                                    |                |           | 8         | ksps      |
| Bandgap Reference Start-Up Time  |            |   | Power-up (Note 8)                  |                | 200       |           | $\mu s$   |
| Reference Buffer Settling Time   |            | To 0.1mV, REF bypass capacitor fully discharged | $C_{REF} = 4.7\mu F$               |                | 8         |           | ms        |
|  |            |   | $C_{REF} = 33\mu F$                |                | 60        |           |           |
| <b>DIGITAL INPUTS</b> ( $\overline{SHDN}$ , A2, A1, A0)                  |            |   |                                    |                |           |           |           |
| Input High Threshold Voltage   | $V_{IH}$   |   |                                    |                |           | 2.4       | V         |
| Input Low Threshold Voltage  | $V_{IL}$   |   |                                    | 0.8            |           |           | V         |
| Input Leakage Current  | $I_{IN}$   | $V_{IN} = 0$ or $V_{DD}$                        |                                    |                | $\pm 0.1$ | $\pm 10$  | $\mu A$   |
| Input Capacitance  | $C_{IN}$   | (Note 4)  |                                    |                |           | 15        | pF        |
| Input Hysteresis   | $V_{HYS}$  |   |                                    |                | 0.2       |           | V         |

# Multirange, +5V, 12-Bit DAS with 2-Wire Serial Interface

MAX127/MAX128

## ELECTRICAL CHARACTERISTICS (continued)

( $V_{DD} = +5V \pm 5\%$ ; unipolar/bipolar range; external reference mode,  $V_{REF} = 4.096V$ ;  $4.7\mu F$  at REF pin; external clock,  $f_{CLK} = 400kHz$ ;  $T_A = T_{MIN}$  to  $T_{MAX}$ ; unless otherwise noted. Typical values are at  $T_A = +25^\circ C$ .)

| PARAMETER                        | SYMBOL    | CONDITIONS               | MIN                  | TYP                 | MAX      | UNITS   |
|----------------------------------|-----------|--------------------------|----------------------|---------------------|----------|---------|
| <b>DIGITAL INPUTS (SDA, SCL)</b> |           |                          |                      |                     |          |         |
| Input High Threshold Voltage     | $V_{IH}$  |                          |                      | $0.7 \times V_{DD}$ |          | V       |
| Input Low Threshold Voltage      | $V_{IL}$  |                          | $0.3 \times V_{DD}$  |                     |          | V       |
| Input Hysteresis                 | $V_{HYS}$ |                          | $0.05 \times V_{DD}$ |                     |          | V       |
| Input Leakage Current            | $I_{IN}$  | $V_{IN} = 0$ or $V_{DD}$ |                      | $\pm 0.1$           | $\pm 10$ | $\mu A$ |
| Input Capacitance                | $C_{IN}$  | (Note 4)                 |                      |                     | 15       | pF      |
| <b>DIGITAL OUTPUTS (SDA)</b>     |           |                          |                      |                     |          |         |
| Output Low Voltage               | $V_{OL}$  | $I_{SINK} = 3mA$         |                      |                     | 0.4      | V       |
|                                  |           | $I_{SINK} = 6mA$         |                      |                     | 0.6      |         |
| Three-State Output Capacitance   | $C_{OUT}$ | (Note 4)                 |                      |                     | 15       | pF      |

## TIMING CHARACTERISTICS

( $V_{DD} = +4.75V$  to  $+5.25V$ ; unipolar/bipolar range; external reference mode,  $V_{REF} = 4.096V$ ;  $4.7\mu F$  at REF pin;  $T_A = T_{MIN}$  to  $T_{MAX}$ ; unless otherwise noted. Typical values are at  $T_A = +25^\circ C$ .)

| PARAMETERS  | SYMBOL       | CONDITIONS                                      | MIN                   | TYP | MAX | UNITS   |
|---|--------------|---|-----------------------|-----|-----|---------|
| <b>2-WIRE FAST MODE</b>                               |              |   |                       |     |     |         |
| SCL Clock Frequency                                   | $f_{SCL}$    |   |                       |     | 400 | kHz     |
| Bus Free Time Between a STOP and START Condition      | $t_{BUF}$    |   | 1.3                   |     |     | $\mu s$ |
| Hold Time (Repeated) START Condition                  | $t_{HD,STA}$ |   | 0.6                   |     |     | $\mu s$ |
| Low Period of the SCL Clock                           | $t_{LOW}$    |   | 1.3                   |     |     | $\mu s$ |
| High Period of the SCL Clock                          | $t_{HIGH}$   |   | 0.6                   |     |     | $\mu s$ |
| Set-Up Time for a Repeated START Condition            | $t_{SU,STA}$ |   | 0.6                   |     |     | $\mu s$ |
| Data Hold Time  | $t_{HD,DAT}$ |   | 0                     |     | 0.9 | $\mu s$ |
| Data Setup Time                                       | $t_{SU,DAT}$ |   | 100                   |     |     | ns      |
| Rise Time for Both SDA and SCL Signals (Receiving)    | $t_R$        | $C_b =$ Total capacitance of one bus line in pF | $20 + 0.1 \times C_b$ |     | 300 | ns      |
| Fall Time for Both SDA and SCL Signals (Receiving)    | $t_F$        | $C_b =$ Total capacitance of one bus line in pF | $20 + 0.1 \times C_b$ |     | 300 | ns      |
| Fall Time for Both SDA and SCL Signals (Transmitting) | $t_F$        | $C_b =$ Total capacitance of one bus line in pF | $20 + 0.1 \times C_b$ |     | 250 | ns      |
| Set-Up Time for STOP Condition                        | $t_{SU,STO}$ |   | 0.6                   |     |     | $\mu s$ |
| Capacitive Load for Each Bus Line                     | $C_b$        |   |                       |     | 400 | pF      |
| Pulse Width of Spike Suppressed                       | $t_{SP}$     |   | 0                     |     | 50  | ns      |

# Multirange, +5V, 12-Bit DAS with 2-Wire Serial Interface

MAX127/MAX128

## TIMING CHARACTERISTICS (continued)

( $V_{DD} = +4.75V$  to  $+5.25V$ ; unipolar/bipolar range; external reference mode,  $V_{REF} = 4.096V$ ;  $4.7\mu F$  at REF pin;  $T_A = T_{MIN}$  to  $T_{MAX}$ ; unless otherwise noted. Typical values are at  $T_A = +25^\circ C$ .)

| PARAMETERS  | SYMBOL               | CONDITIONS   | MIN                          | TYP | MAX  | UNITS |
|---|----------------------|--|------------------------------|-----|------|-------|
| <b>2-WIRE STANDARD MODE</b>                           |                      |  |                              |     |      |       |
| SCL Clock Frequency                                   | f <sub>SCL</sub>     |  |                              |     | 100  | kHz   |
| Bus Free Time Between a STOP and START Condition      | t <sub>BUF</sub>     |  | 4.7                          |     |      | μs    |
| Hold Time (Repeated) START Condition                  | t <sub>HD, STA</sub> |  | 4.0                          |     |      | μs    |
| Low Period of the SCL Clock                           | t <sub>LOW</sub>     |  | 4.7                          |     |      | μs    |
| High Period of the SCL Clock                          | t <sub>HIGH</sub>    |  | 4.0                          |     |      | μs    |
| Setup Time for a Repeated START Condition             | t <sub>SU, STA</sub> |  | 4.7                          |     |      | μs    |
| Data Hold Time  | t <sub>HD, DAT</sub> |  | 0                            |     | 0.9  | μs    |
| Data Setup Time                                       | t <sub>SU, DAT</sub> |  | 250                          |     |      | ns    |
| Rise Time for Both SDA and SCL Signals (Receiving)    | t <sub>R</sub>       |  |                              |     | 1000 | ns    |
| Fall Time for Both SDA and SCL Signals (Receiving)    | t <sub>F</sub>       |  |                              |     | 300  | ns    |
| Fall Time for Both SDA and SCL Signals (Transmitting) | t <sub>F</sub>       | C <sub>b</sub> = total capacitance of one bus line in pF, up to 6mA sink | 20 +<br>0.1 x C <sub>b</sub> |     | 250  | ns    |
| Setup Time for STOP Condition                         | t <sub>SU, STO</sub> |  | 4.0                          |     |      | μs    |
| Capacitive Load for Each Bus Line                     | C <sub>b</sub>       |  |                              |     | 400  | pF    |
| Pulse Width of Spike Suppressed                       | t <sub>SP</sub>      |  | 0                            |     | 50   | ns    |

**Note 1:** Accuracy specifications tested at  $V_{DD} = 5.0V$ . Performance at power-supply tolerance limits is guaranteed by Power-Supply Rejection test.

**Note 2:** External reference:  $V_{REF} = 4.096V$ , offset error nulled, ideal last-code transition = FS - 3/2LSB.

**Note 3:** Ground "on" channel, sine wave applied to all "off" channels.

**Note 4:** Guaranteed by design. Not tested.

**Note 5:** Use static external load during conversion for specified accuracy.

**Note 6:** Tested using internal reference.

**Note 7:** PSRR measured at full scale. Tested for the  $\pm 10V$  (MAX127) and  $\pm 4.096V$  (MAX128) input ranges.

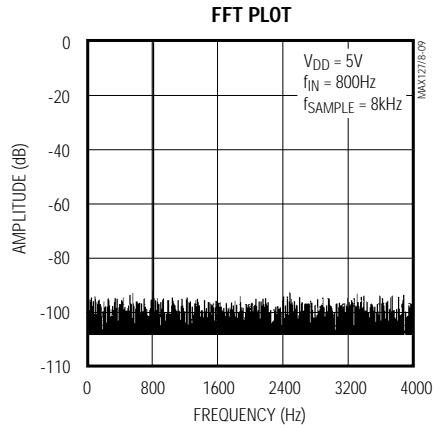
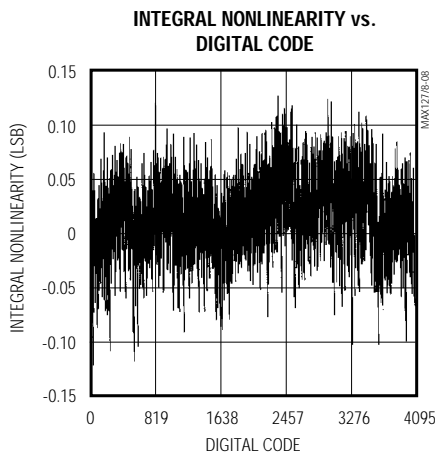
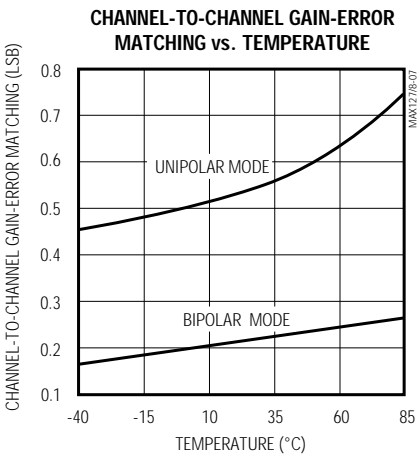
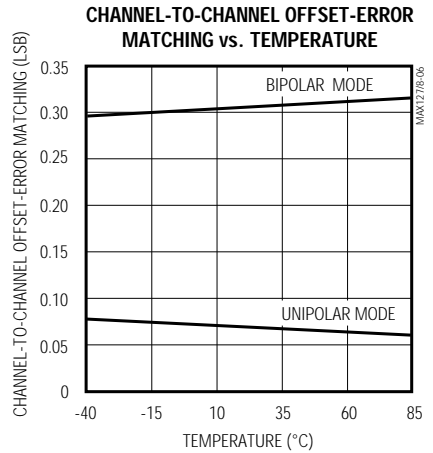
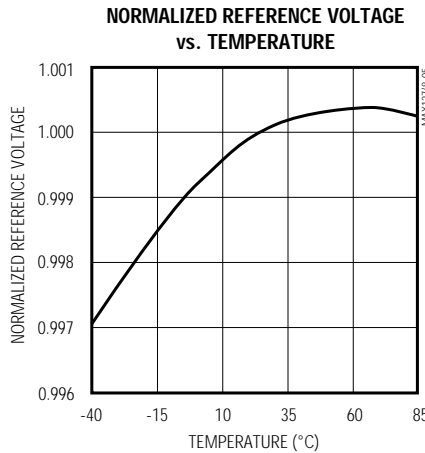
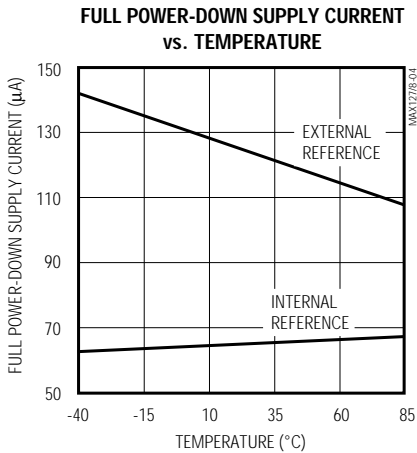
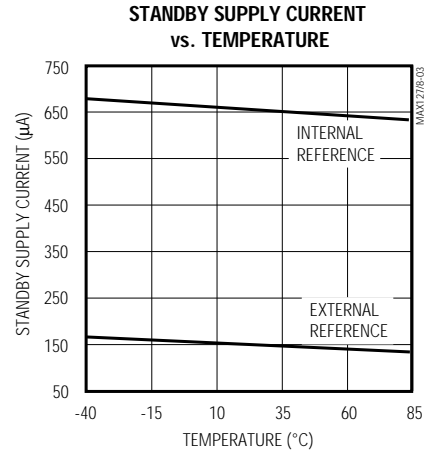
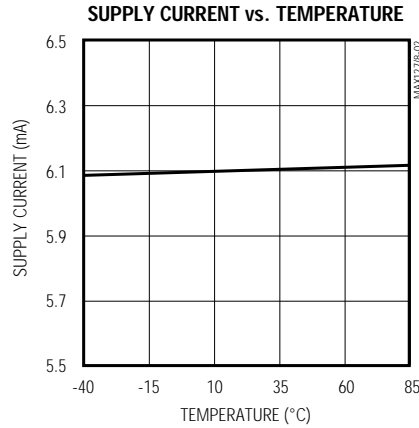
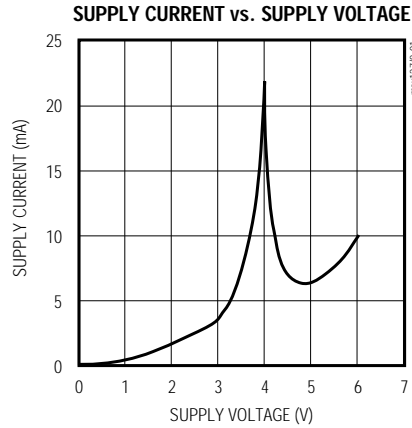
**Note 8:** Not subject to production testing. Provided for design guidance only.

# Multirange, +5V, 12-Bit DAS with 2-Wire Serial Interface

## Typical Operating Characteristics

( $V_{DD} = +5V$ , external reference mode,  $V_{REF} = 4.096V$ ;  $4.7\mu F$  at REF; external clock,  $f_{CLK} = 400kHz$ ;  $T_A = +25^\circ C$ ; unless otherwise noted.)

MAX127/MAX128



# Multirange, +5V, 12-Bit DAS with 2-Wire Serial Interface

## Pin Description

| PIN          |                                | NAME                     | FUNCTION   |
|--------------|--------------------------------|--------------------------|--|
| DIP          | SSOP                           |                          |  |
| 1, 2         | 1, 2                           | V <sub>DD</sub>          | +5V Supply. Bypass with a 0.1μF capacitor to AGND.   |
| 3, 9, 22, 24 | 4, 7, 8, 11, 22,<br>24, 25, 28 | N.C.                     | No Connect. No internal connection.  |
| 4            | 3                              | DGND                     | Digital Ground   |
| 5            | 5                              | SCL                      | Serial Clock Input   |
| 6, 8, 10     | 6, 10, 12                      | A0, A2, A1               | Address Select Inputs  |
| 7            | 9                              | SDA                      | Open-Drain Serial Data I/O. Input data is clocked in on the rising edge of SCL, and output data is clocked out on the falling edge of SCL. External pull-up resistor required.   |
| 11           | 13                             | $\overline{\text{SHDN}}$ | Shutdown Input. When low, device is in full power-down (FULLPD) mode. Connect high for normal operation.   |
| 12           | 14                             | AGND                     | Analog Ground  |
| 13–20        | 15–21, 23                      | CH0–CH7                  | Analog Input Channels  |
| 21           | 26                             | REFADJ                   | Bandgap Voltage-Reference Output/External Adjust Pin. Bypass with a 0.01μF capacitor to AGND. Connect to V <sub>DD</sub> when using an external reference at REF.  |
| 23           | 27                             | REF                      | Reference Buffer Output/ADC Reference Input. In internal reference mode, the reference buffer provides a 4.096V nominal output, externally adjustable at REFADJ. In external reference mode, disable the internal reference by pulling REFADJ to V <sub>DD</sub> and applying the external reference to REF. |



# Multirange, +5V, 12-Bit DAS with 2-Wire Serial Interface

MAX127/MAX128

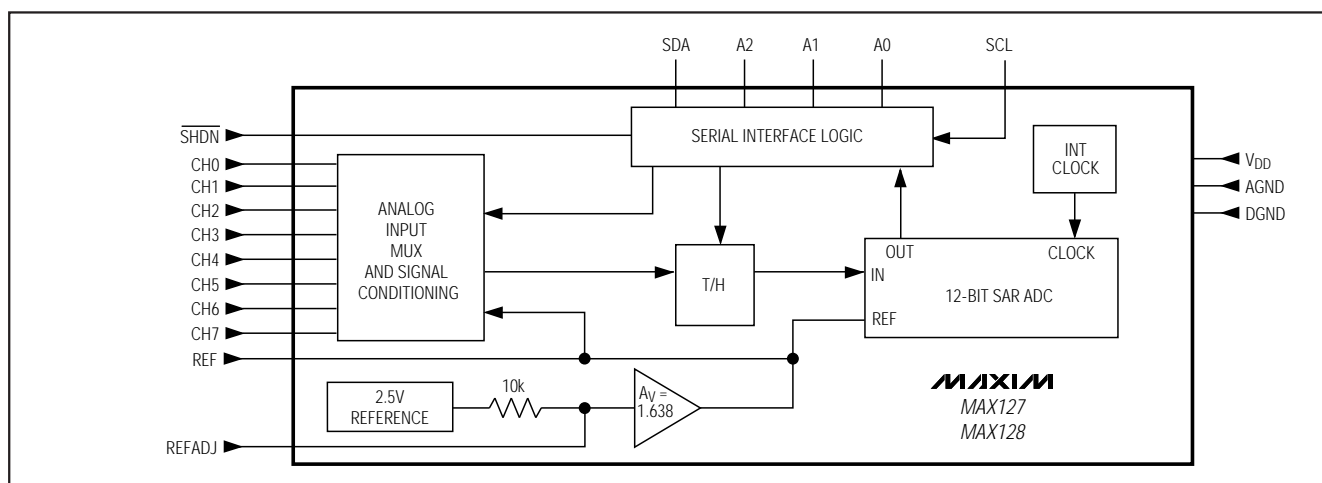


Figure 1. Block Diagram

## Detailed Description

### Converter Operation

The MAX127/MAX128 multirange, fault-tolerant ADCs use successive approximation and internal track/hold (T/H) circuitry to convert an analog signal to a 12-bit digital output. Figure 1 shows the block diagram for these devices.

### Analog-Input Track/Hold

The T/H circuitry enters its tracking/acquisition mode on the falling edge of the sixth clock in the 8-bit input control word and enters its hold/conversion mode when the master issues a STOP condition. For timing information, see the *Start a Conversion* section.

### Input Range and Protection

The MAX127/MAX128 have software-selectable input ranges. Each analog input channel can be independently programmed to one of four ranges by setting the appropriate control bits (RNG, BIP) in the control byte (Table 1). The MAX127 has selectable input ranges extending to  $\pm 10V$  ( $\pm V_{REF} \times 2.441$ ), while the MAX128 has selectable input ranges extending to  $\pm V_{REF}$ . Note that when an external reference is applied at REFADJ, the voltage at REF is given by  $V_{REF} = 1.638 \times V_{REFADJ}$  ( $2.4 < V_{REF} < 4.18$ ). Figure 2 shows the equivalent input circuit.

A resistor network on each analog input provides a  $\pm 16.5V$  fault protection for all channels. This circuit limits the current going into or out of the pin to less than 1.2mA, whether or not the channel is on. This provides an added layer of protection when momentary overvoltages occur at the selected input channel, and when a negative signal is applied at the input even though

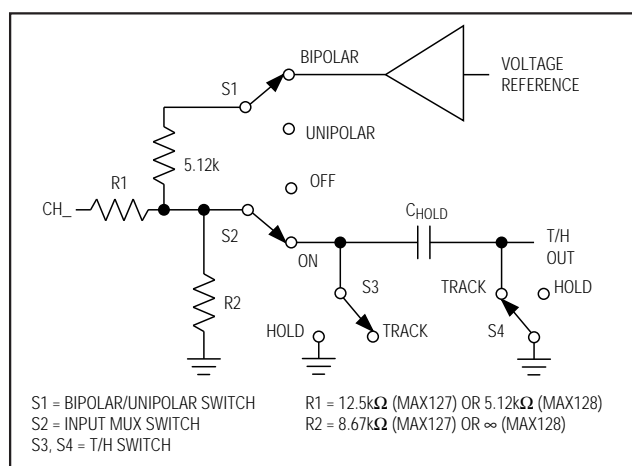


Figure 2. Equivalent Input Circuit

the device may be configured for unipolar mode. Overvoltage protection is active even if the device is in power-down mode or  $V_{DD} = 0$ .

### Digital Interface

The MAX127/MAX128 feature a 2-wire serial interface consisting of the SDA and SCL pins. SDA is the data I/O and SCL is the serial clock input, controlled by the master device. A2-A0 are used to program the MAX127/MAX128 to different slave addresses. (The MAX127/MAX128 only work as slaves.) The two bus lines (SDA and SCL) must be high when the bus is not in use. External pull-up resistors (1k $\Omega$  or greater) are required on SDA and SCL to maintain I<sup>2</sup>C compatibility. Table 1 shows the input control-byte format.

# Multirange, +5V, 12-Bit DAS with 2-Wire Serial Interface

**Table 1. Control-Byte Format**

| BIT 7 (MSB) | BIT 6 | BIT 5 | BIT 4 | BIT 3 | BIT 2 | BIT 1 | BIT 0 (LSB) |
|-------------|-------|-------|-------|-------|-------|-------|-------------|
| START       | SEL2  | SEL1  | SEL0  | RNG   | BIP   | PD1   | PD0         |

| BIT        | NAME             | DESCRIPTION  |
|------------|------------------|--|
| 7 (MSB)    | START            | The logic "1" received after acknowledgement of a write bit ( $R/\bar{W} = 0$ ) defines the beginning of the control byte. |
| 6, 5, 4    | SEL2, SEL1, SEL0 | These three bits select the desired "ON" channel ( <b>Table 2</b> ).   |
| 3          | RNG              | Selects the full-scale input voltage range ( <b>Table 3</b> ).   |
| 2          | BIP              | Selects unipolar or bipolar conversion mode ( <b>Table 3</b> ).  |
| 1, 0 (LSB) | PD1, PD0         | These two bits select the power-down modes ( <b>Table 4</b> ).   |

**Table 2. Channel Selection**

| SEL2 | SEL1 | SEL0 | CHANNEL |
|------|------|------|---------|
| 0    | 0    | 0    | CH0     |
| 0    | 0    | 1    | CH1     |
| 0    | 1    | 0    | CH2     |
| 0    | 1    | 1    | CH3     |
| 1    | 0    | 0    | CH4     |
| 1    | 0    | 1    | CH5     |
| 1    | 1    | 0    | CH6     |
| 1    | 1    | 1    | CH7     |

**Table 4. Power-Down and Clock Selection**

| PD1 | PD0 | MODE                             |
|-----|-----|----------------------------------|
| 0   | X   | Normal Operation (always on)     |
| 1   | 0   | Standby Power-Down Mode (STBYPD) |
| 1   | 1   | Full Power-Down Mode (FULLPD)    |

**Table 3. Range and Polarity Selection**

| INPUT RANGE (V)  | RNG | BIP | NEGATIVE FULL SCALE (V)  | ZERO SCALE (V) | FULL SCALE (V)          |
|------------------|-----|-----|--------------------------|----------------|-------------------------|
| <b>MAX127</b>    |     |     |                          |                |                         |
| 0 to 5           | 0   | 0   | -                        | 0              | $V_{REF} \times 1.2207$ |
| 0 to 10          | 1   | 0   | -                        | 0              | $V_{REF} \times 2.4414$ |
| $\pm 5$          | 0   | 1   | $-V_{REF} \times 1.2207$ | 0              | $V_{REF} \times 1.2207$ |
| $\pm 10$         | 1   | 1   | $-V_{REF} \times 2.4414$ | 0              | $V_{REF} \times 2.4414$ |
| <b>MAX128</b>    |     |     |                          |                |                         |
| 0 to $V_{REF}/2$ | 0   | 0   | -                        | 0              | $V_{REF}/2$             |
| 0 to $V_{REF}$   | 1   | 0   | -                        | 0              | $V_{REF}$               |
| $\pm V_{REF}/2$  | 0   | 1   | $-V_{REF}/2$             | 0              | $V_{REF}/2$             |
| $\pm V_{REF}$    | 1   | 1   | $-V_{REF}$               | 0              | $V_{REF}$               |

# Multirange, +5V, 12-Bit DAS with 2-Wire Serial Interface

## Slave Address

The MAX127/MAX128 have a 7-bit-long slave address. The first four bits (MSBs) of the slave address have been factory programmed and are always 0101. The logic state of the address input pins (A2–A0) determine the three LSBs of the device address (Figure 3). A maximum of eight MAX127/MAX128 devices can therefore be connected on the same bus at one time.

A2–A0 may be connected to V<sub>DD</sub> or DGND, or they may be actively driven by TTL or CMOS logic levels.

The eighth bit of the address byte determines whether the master is writing to or reading from the MAX127/MAX128 (R/W = 0 selects a write condition. R/W = 1 selects a read condition).

## Conversion Control

The master signals the beginning of a transmission with a START condition (S), which is a high-to-low transition on SDA while SCL is high. When the master has finished communicating with the slave, the master issues a STOP condition (P), which is a low-to-high transition on SDA while SCL is high (Figure 4). The bus is then free for another transmission. Figure 5 shows the timing diagram for signals on the 2-wire interface. The address-byte, control-byte, and data-byte are transmitted between the START and STOP conditions. The SDA state is allowed to change only while SCL is low, except for the START and STOP conditions. Data is transmitted in 8-bit words. Nine clock cycles are required to transfer the data in or out of the MAX127/MAX128. (Figures 9 and 10).

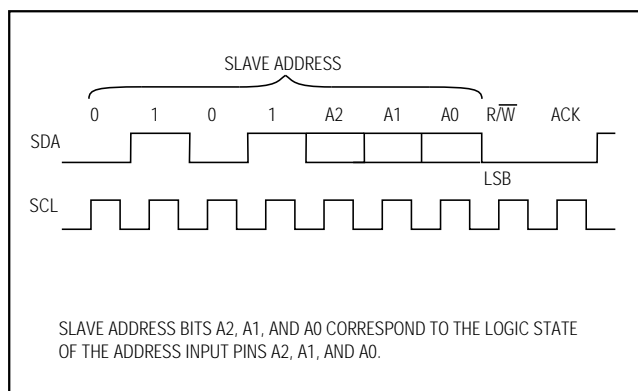


Figure 3. Address Byte

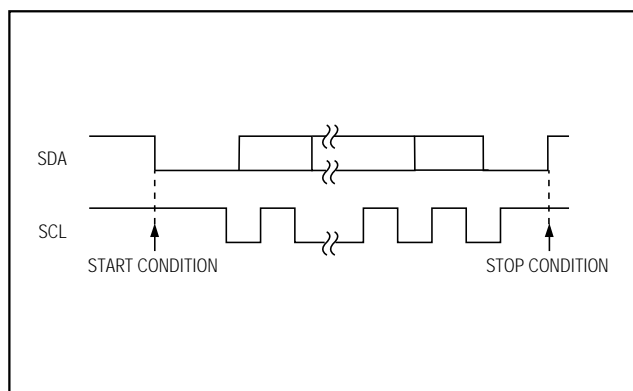


Figure 4. START and STOP Conditions

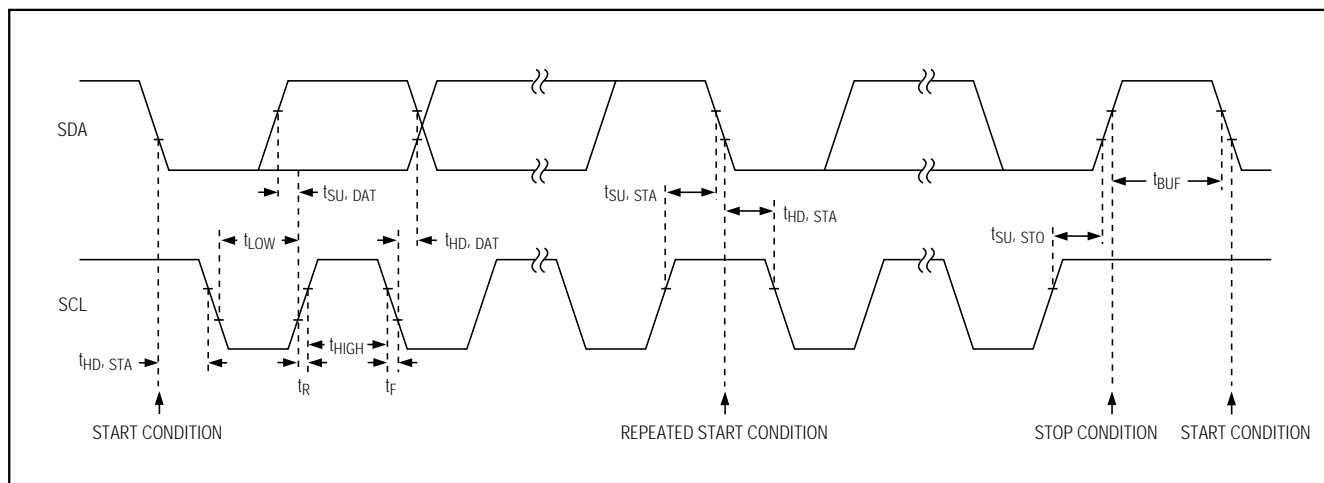


Figure 5. 2-Wire Serial-Interface Timing Diagram

# Multirange, +5V, 12-Bit DAS with 2-Wire Serial Interface

## Start a Conversion (Write Cycle)

A conversion cycle begins with the master issuing a START condition followed by seven address bits (Figure 3) and a write bit ( $R/\bar{W} = 0$ ). Once the eighth bit has been received and the address matches, the MAX127/MAX128 (the slave) issues an acknowledge by pulling SDA low for one clock cycle ( $A = 0$ ). The master then writes the input control byte to the slave (Figure 8). After this byte of data, the slave issues another acknowledge, pulling SDA low for one clock cycle. The master ends the write cycle by issuing a STOP condition (Figure 6).

When the write bit is set ( $R/\bar{W} = 0$ ), acquisition starts as soon as Bit 2 (BIP) of the input control-byte has been latched and ends when a STOP condition has been issued. Conversion starts immediately after acquisition. The MAX127/MAX128's internal conversion clock frequency is 1.56MHz, resulting in a typical conversion time of 7.7 $\mu$ s. Figure 9 shows a complete write cycle.

## Read a Conversion (Read Cycle)

Once a conversion starts, the master does not need to wait for the conversion to end before attempting to read the data from the slave. Data access begins with the master issuing a START condition followed by a 7-bit address (Figure 3) and a read bit ( $R/\bar{W} = 1$ ). Once the eighth bit has been received and the address matches, the slave issues an acknowledge by pulling low on SDA for one clock cycle ( $A = 0$ ) followed by the first byte of serial data (D11–D4, MSB first). After the first byte has been issued by the slave, it releases the bus for the master to issue an acknowledge ( $A = 0$ ). After receiving the acknowledge, the slave issues the second byte (D3–D0 and four zeros) followed by a NOT acknowledge ( $\bar{A} = 1$ ) from the master to indicate that the last data byte has been received. Finally, the master issues a STOP condition (P), ending the read cycle (Figure 7).

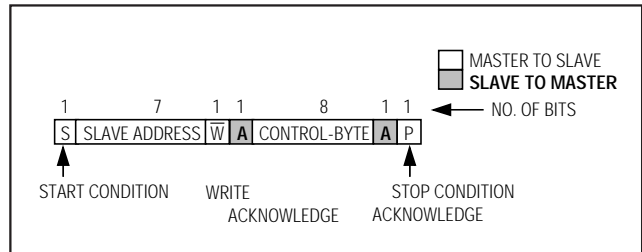


Figure 6. Write Cycle

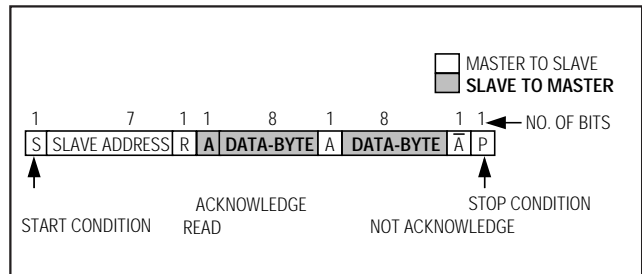


Figure 7. Read Cycle

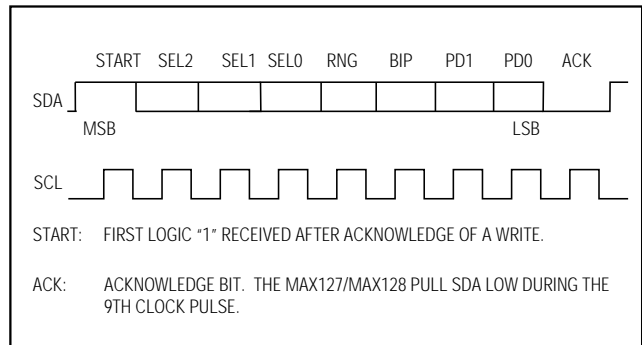


Figure 8. Command Byte

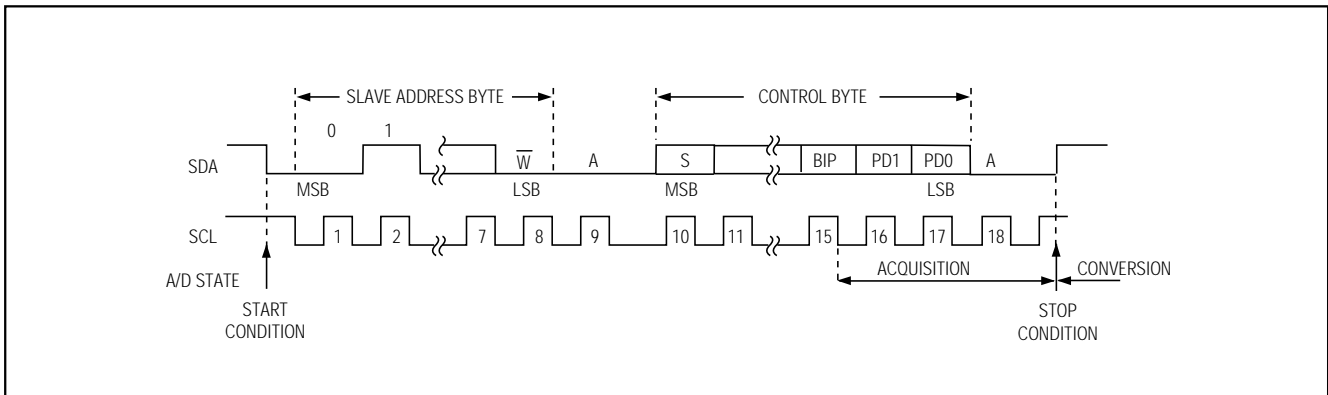


Figure 9. Complete 2-Wire Serial Write Transmission

# Multirange, +5V, 12-Bit DAS with 2-Wire Serial Interface

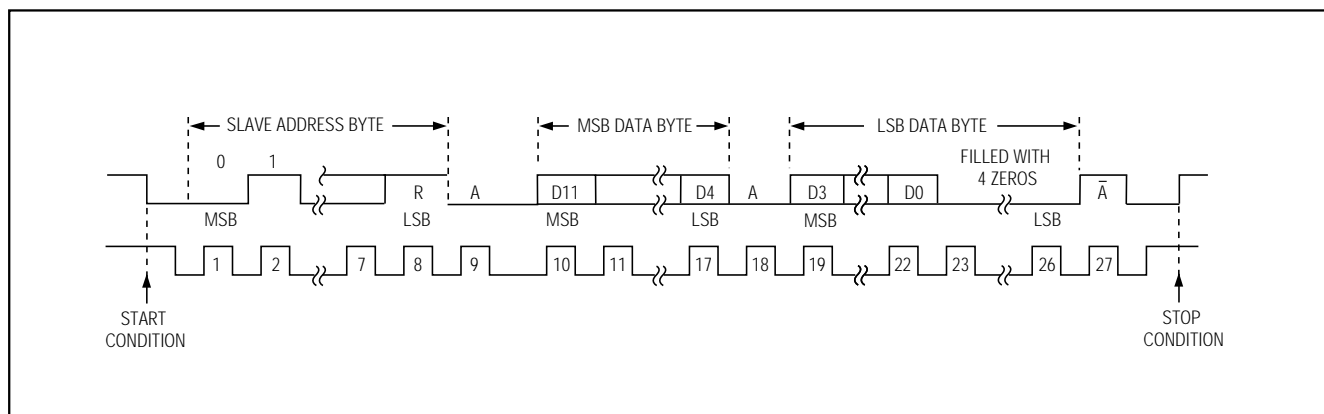


Figure 10. Complete 2-Wire Serial Read Transmission

The MAX127/MAX128 ignore acknowledge and NOT-acknowledge conditions issued by the master during the read cycle. The device waits for the master to read the output data or waits until a STOP condition is issued. Figure 10 shows a complete read cycle.

In unipolar input mode, the output is straight binary. For bipolar input mode, the output is two's complement. For output binary codes see the *Transfer Function* section.

## Applications Information

### Power-On Reset

The MAX127/MAX128 power up in normal operating mode, waiting for a START condition followed by the appropriate slave address. The contents of the input and output data registers are cleared at power-up.

### Internal or External Reference

The MAX127/MAX128 operate with either an internal or an external reference (Figures 11a–11c). An external reference is connected to either REF or to REFADJ.

The REFADJ internal buffer gain is trimmed to 1.6384 to provide 4.096V at REF from a 2.5V reference.

### Internal Reference

The internally trimmed 2.50V reference is amplified through the REFADJ buffer to provide 4.096V at REF. Bypass REF with a 4.7μF capacitor to AGND and bypass REFADJ with a 0.01μF capacitor to AGND (Figure 11a). The internal reference voltage is adjustable to ±1.5% (±65 LSBs) with the reference-adjust circuit of Figure 12.

### External Reference

To use the REF input directly, disable the internal buffer by connecting REFADJ to V<sub>DD</sub> (Figure 11b). Using the REFADJ input eliminates the need to buffer the reference externally. When the reference is applied at REFADJ, bypass REFADJ with a 0.01μF capacitor to AGND (Figure 11c).

At REF and REFADJ, the input impedance is a minimum of 10kΩ for DC currents. During conversions, an external reference at REF must be able to drive a 400μA DC load, and must have an output impedance of 10Ω or less. If the reference has higher input impedance or is noisy, bypass REF with a 4.7μF capacitor to AGND as close to the chip as possible.

With an external reference voltage of less than 4.096V at REF or less than 2.5V at REFADJ, the increase in RMS noise to the LSB value (full-scale voltage/4096) results in performance degradation and loss of effective bits.

### Power-Down Mode

To save power, put the converter into low-current shutdown mode between conversions. Two programmable power-down modes are available, in addition to the hardware shutdown. Select STBYPD or FULLPD by programming PD0 and PD1 in the input control byte (Table 4). When software power-down is asserted, it becomes effective only after the end of conversion. In all power-down modes, the interface remains active and conversion results may be read. Input overvoltage protection is active in all power-down modes.

# Multirange, +5V, 12-Bit DAS with 2-Wire Serial Interface

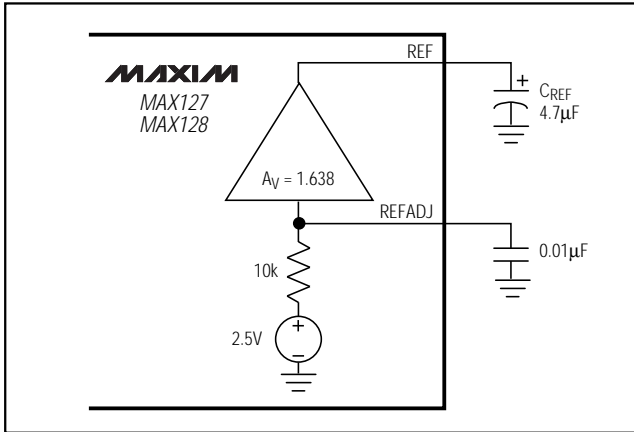


Figure 11a. Internal Reference

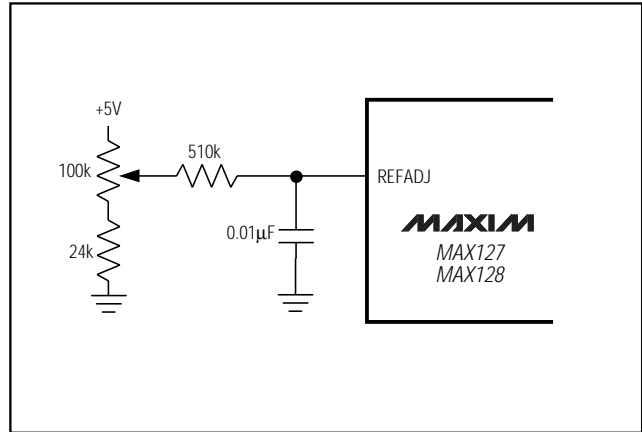


Figure 12. Reference-Adjust Circuit

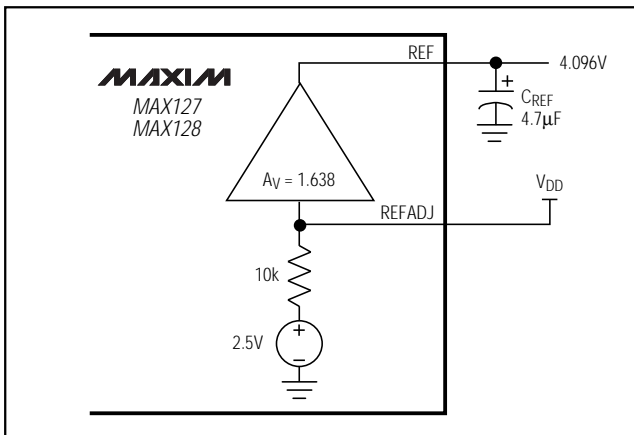


Figure 11b. External Reference, Reference at REF

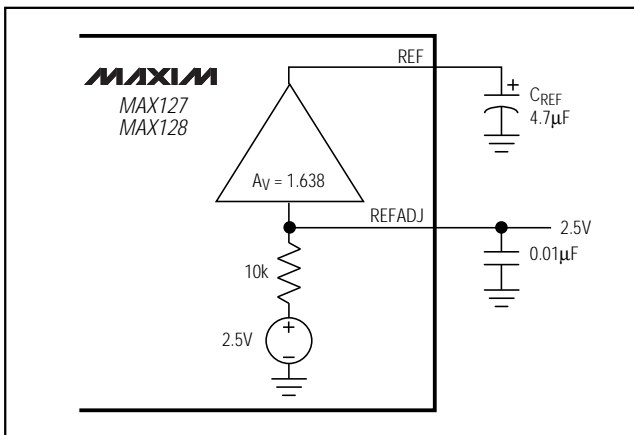


Figure 11c. External Reference, Reference at REFADJ

To power-up from a software initiated power-down, a START condition followed by the correct slave address must be received (with R/W = 0). The MAX127/MAX128 power-up after receiving the next bit.

For hardware-controlled power-down (FULLPD), pull SHDN low. When hardware shutdown is asserted, it becomes effective immediately and any conversion in progress is aborted.

### Choosing Power-Down Modes

The bandgap reference and reference buffer remain active in STBYPD mode, maintaining the voltage on the 4.7µF capacitor at REF. This is a "DC" state that does not degrade after standby power-down of any duration.

In FULLPD mode, only the bandgap reference is active. Connect a 33µF capacitor between REF and AGND to maintain the reference voltage between conversions and to reduce transients when the buffer is enabled and disabled. Throughput rates down to 1ksp/s can be achieved without allotting extra acquisition time for reference recovery prior to conversion. This allows conversion to begin immediately after power-down ends. If the discharge of the REF capacitor during FULLPD exceeds the desired limits for accuracy (less than a fraction of an LSB), run a STBYPD power-down cycle prior to starting conversions. Take into account that the reference buffer recharges the bypass capacitor at an 80mV/ms slew rate, and add 50µs for settling time.

### Auto-Shutdown

Selecting STBYPD on every conversion automatically shuts the MAX127/MAX128 down after each conversion without requiring any start-up time on the next conversion.

# Multirange, +5V, 12-Bit DAS with 2-Wire Serial Interface

MAX127/MAX128

## Transfer Function

Output data coding for the MAX127/MAX128 is binary in unipolar mode with  $1\text{LSB} = (\text{FS}/4096)$  and two's complement binary in bipolar mode with  $1\text{LSB} = [(2 \times |\text{FS}|)/4096]$ . Code transitions occur halfway between successive-integer LSB values. Figures 13a and 13b show the input/output (I/O) transfer functions for unipolar and bipolar operations, respectively. For full-scale (FS) values, refer to Table 3.

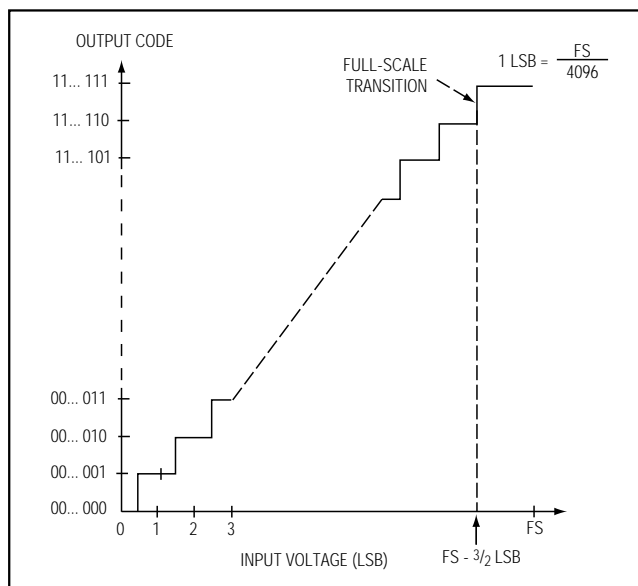


Figure 13a. Unipolar Transfer Function

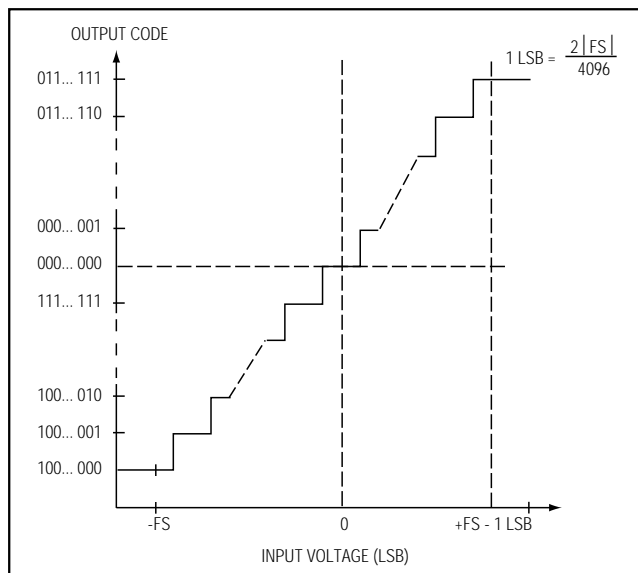


Figure 13b. Bipolar Transfer Function

## Layout, Grounding, and Bypassing

Careful printed circuit board layout is essential for best system performance. For best performance, use a ground plane. To reduce crosstalk and noise injection, keep analog and digital signals separate. Connect analog grounds and DGND in a star configuration to AGND. For noise-free operation, ensure the ground return from AGND to the supply ground is low impedance and as short as possible. Connect the logic grounds directly to the supply ground. Bypass  $V_{\text{DD}}$  with  $0.1\mu\text{F}$  and  $4.7\mu\text{F}$  capacitors to AGND to minimize high- and low-frequency fluctuations. If the supply is excessively noisy, connect a  $5\Omega$  resistor between the supply and  $V_{\text{DD}}$ , as shown in Figure 14.

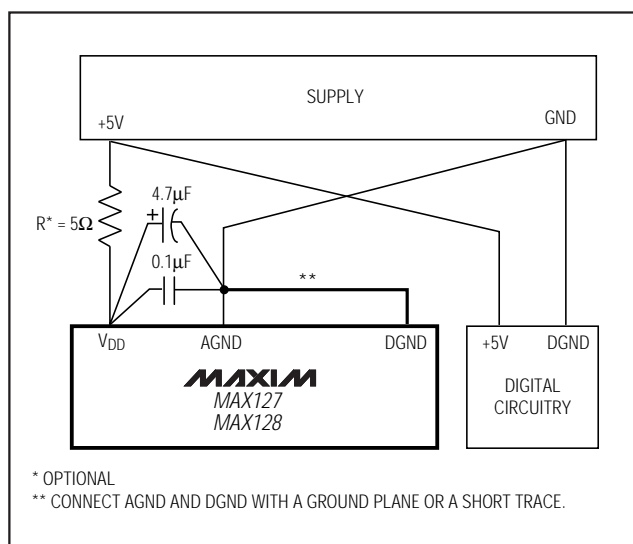


Figure 14. Power-Supply Grounding Connection

# Multirange, +5V, 12-Bit DAS with 2-Wire Serial Interface

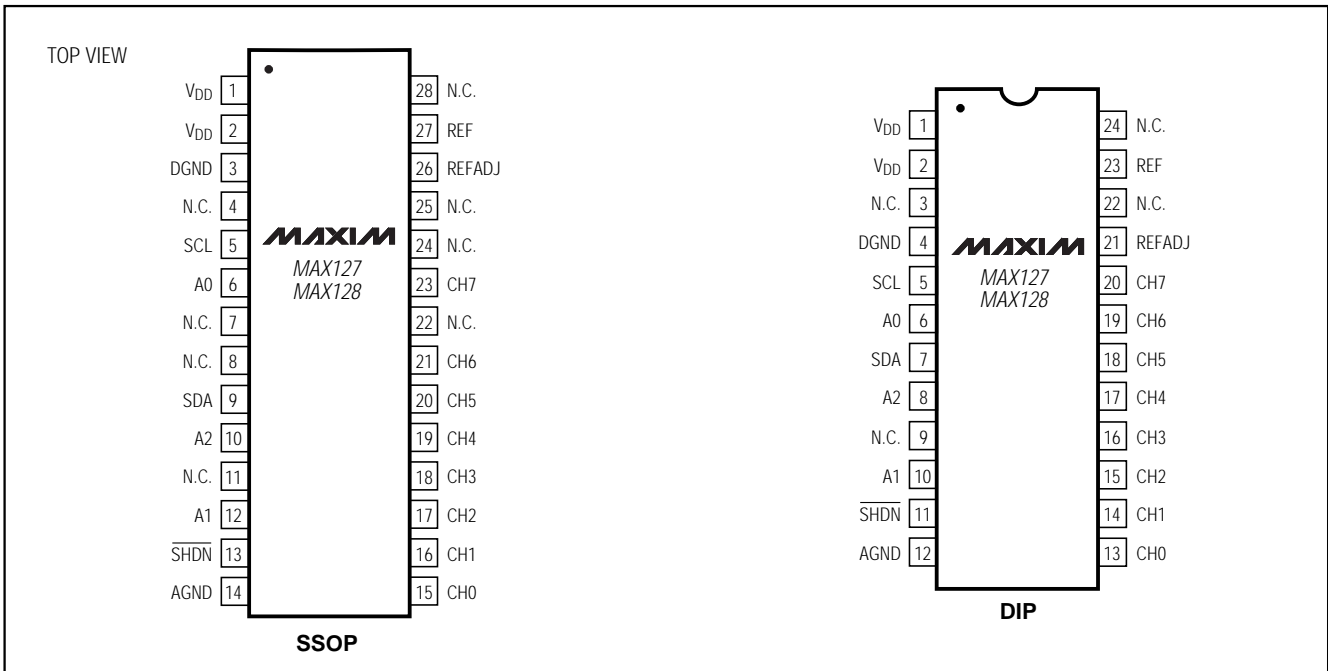
## Ordering Information (continued)

| PART              | TEMP. RANGE    | PIN-PACKAGE           | INL (LSB) |
|-------------------|----------------|-----------------------|-----------|
| MAX127ACAI        | 0°C to +70°C   | 28 SSOP               | ±1/2      |
| MAX127BCAI        | 0°C to +70°C   | 28 SSOP               | ±1        |
| MAX127AENG        | -40°C to +85°C | 24 Narrow Plastic DIP | ±1/2      |
| MAX127BENG        | -40°C to +85°C | 24 Narrow Plastic DIP | ±1        |
| MAX127AEAI        | -40°C to +85°C | 28 SSOP               | ±1/2      |
| MAX127BEAI        | -40°C to +85°C | 28 SSOP               | ±1        |
| <b>MAX128ACNG</b> | 0°C to +70°C   | 24 Narrow Plastic DIP | ±1/2      |
| MAX128BCNG        | 0°C to +70°C   | 24 Narrow Plastic DIP | ±1        |
| MAX128ACAI        | 0°C to +70°C   | 28 SSOP               | ±1/2      |
| MAX128BCAI        | 0°C to +70°C   | 28 SSOP               | ±1        |
| MAX128AENG        | -40°C to +85°C | 24 Narrow Plastic DIP | ±1/2      |
| MAX128BENG        | -40°C to +85°C | 24 Narrow Plastic DIP | ±1        |
| MAX128AEAI        | -40°C to +85°C | 28 SSOP               | ±1/2      |
| MAX128BEAI        | -40°C to +85°C | 28 SSOP               | ±1        |

## Chip Information

TRANSISTOR COUNT: 4219  
 SUBSTRATE CONNECTED to AGND

## Pin Configurations



Maxim cannot assume responsibility for use of any circuitry other than circuitry entirely embodied in a Maxim product. No circuit patent licenses are implied. Maxim reserves the right to change the circuitry and specifications without notice at any time.

16 Maxim Integrated Products, 120 San Gabriel Drive, Sunnyvale, CA 94086 408-737-7600