

Features

- **Low Voltage and Standard Voltage Operation**
 - 5.0 ($V_{CC} = 4.5V$ to 5.5V)
 - 2.7 ($V_{CC} = 2.7V$ to 5.5V)
 - 2.5 ($V_{CC} = 2.5V$ to 5.5V)
 - 1.8 ($V_{CC} = 1.8V$ to 5.5V)
- **User Selectable Internal Organization**
 - 1K: 128 x 8 or 64 x 16
 - 2K: 256 x 8 or 128 x 16
 - 4K: 512 x 8 or 256 x 16
- **3-Wire Serial Interface**
- **2 MHz Clock Rate (5V) Compatibility**
- **Self-Timed Write Cycle (10 ms max)**
- **High Reliability**
 - **Endurance: 1 Million Write Cycles**
 - **Data Retention: 100 Years**
 - **ESD Protection: >4000V**
- **Automotive Grade and Extended Temperature Devices Available**
- **8-Pin PDIP, 8-Pin JEDEC and EIAJ SOIC, and 8-Pin TSSOP Packages**

Description

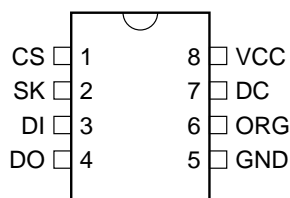
The AT93C46/56/57/66 provides 1024/2048/4096 bits of serial electrically erasable programmable read only memory (EEPROM) organized as 64/128/256 words of 16 bits each, when the ORG Pin is connected to V_{CC} and 128/256/512 words of 8 bits each when it is tied to ground. The device is optimized for use in many industrial and commercial applications where low power and low voltage operations are essential. The AT93C46/56/57/66 is available in space saving 8-pin PDIP and 8-pin JEDEC and EIAJ SOIC packages.

(continued)

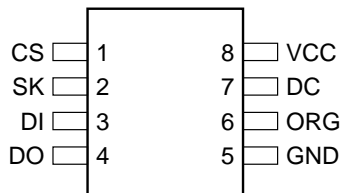
Pin Configurations

| Pin Name | Function |
|----------|-----------------------|
| CS | Chip Select |
| SK | Serial Data Clock |
| DI | Serial Data Input |
| DO | Serial Data Output |
| GND | Ground |
| V_{CC} | Power Supply |
| ORG | Internal Organization |
| DC | Don't Connect |

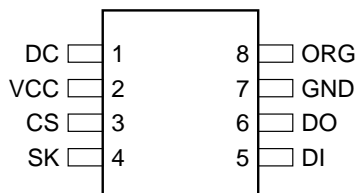
8-Pin PDIP



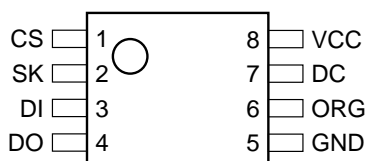
8-Pin SOIC



8-Pin SOIC
Rotated (R)
(1K JEDEC Only)



8-Pin TSSOP



3-Wire Serial EEPROMs

1K (128 x 8 or 64 x 16)

2K (256 x 8 or 128 x 16)

4K (512 x 8 or 256 x 16)

AT93C46

AT93C56

AT93C57

AT93C66



The AT93C46/56/57/66 is enabled through the Chip Select pin (CS), and accessed via a 3-wire serial interface consisting of Data Input (DI), Data Output (DO), and Shift Clock (SK). Upon receiving a READ instruction at DI, the address is decoded and the data is clocked out serially on the data output pin DO. The WRITE cycle is completely self-timed and no separate ERASE cycle is required before WRITE. The WRITE cycle is only enabled when the part is in the

ERASE/WRITE ENABLE state. When CS is brought "high" following the initiation of a WRITE cycle, the DO pin outputs the READY/BUSY status of the part.

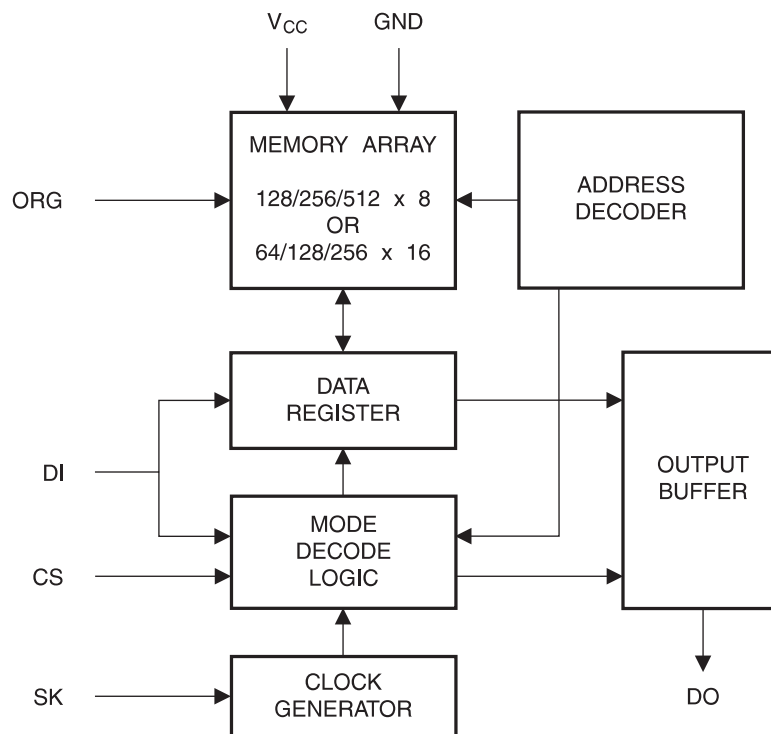
The AT93C46 is available in 4.5V to 5.5V, 2.7V to 5.5V, 2.5V to 5.5V, and 1.8V to 5.5V versions. The AT93C56/57/66 is available in 4.5V to 5.5V, 2.7V to 5.5V, and 2.5V to 5.5V versions.

Absolute Maximum Ratings*

| | |
|----------------------------------------------------|-----------------|
| Operating Temperature | -55°C to +125°C |
| Storage Temperature | -65°C to +150°C |
| Voltage on Any Pin with Respect to Ground | -1.0V to +7.0V |
| Maximum Operating Voltage..... | 6.25V |
| DC Output Current..... | 5.0 mA |

*NOTICE: Stresses beyond those listed under "Absolute Maximum Ratings" may cause permanent damage to the device. This is a stress rating only and functional operation of the device at these or any other conditions beyond those indicated in the operational sections of this specification is not implied. Exposure to absolute maximum rating conditions for extended periods may affect device reliability

Block Diagram



Note: 1. When the ORG pin is connected to V_{CC} , the x 16 organization is selected. When it is connected to ground, the x 8 organization is selected. If the ORG pin is left unconnected, then an internal pullup device (of approximately 1 M Ω) will select the x 16 organization. This feature is not available on 1.8V devices.

Pin Capacitance⁽¹⁾

Applicable over recommended operating range from $T_A = 25^\circ\text{C}$, $f = 1.0\text{ MHz}$, $V_{CC} = +5.0\text{V}$ (unless otherwise noted).

| | Test Conditions | Max | Units | Conditions |
|-----------|--------------------------------|-----|-------|-----------------------|
| C_{OUT} | Output Capacitance (DO) | 5 | pF | $V_{OUT} = 0\text{V}$ |
| C_{IN} | Input Capacitance (CS, SK, DI) | 5 | pF | $V_{IN} = 0\text{V}$ |

Note: 1. This parameter is characterized and is not 100% tested.

DC Characteristics

Applicable over recommended operating range from: $T_{AI} = -40^\circ\text{C}$ to $+85^\circ\text{C}$, $V_{CC} = +1.8\text{V}$ to $+5.5\text{V}$, $T_{AC} = 0^\circ\text{C}$ to $+70^\circ\text{C}$, $V_{CC} = +1.8\text{V}$ to $+5.5\text{V}$ (unless otherwise noted).

| Symbol | Parameter | Test Condition | | Min | Typ | Max | Unit |
|------------------------------------|---------------------|--------------------------------------------|------------------------------|---------------------|-----|---------------------|---------------|
| V_{CC1} | Supply Voltage | | | 1.8 | | 5.5 | V |
| V_{CC2} | Supply Voltage | | | 2.5 | | 5.5 | V |
| V_{CC3} | Supply Voltage | | | 2.7 | | 5.5 | V |
| V_{CC4} | Supply Voltage | | | 4.5 | | 5.5 | V |
| I_{CC} | Supply Current | $V_{CC} = 5.0\text{V}$ | READ at 1.0 MHz | | 0.5 | 2.0 | mA |
| | | | WRITE at 1.0 MHz | | 0.5 | 2.0 | mA |
| I_{SB1} | Standby Current | $V_{CC} = 1.8\text{V}$ | $CS = 0\text{V}$ | | 0 | 0.1 | μA |
| I_{SB2} | Standby Current | $V_{CC} = 2.5\text{V}$ | $CS = 0\text{V}$ | | 6.0 | 10.0 | μA |
| I_{SB3} | Standby Current | $V_{CC} = 2.7\text{V}$ | $CS = 0\text{V}$ | | 6.0 | 10.0 | μA |
| I_{SB4} | Standby Current | $V_{CC} = 5.0\text{V}$ | $CS = 0\text{V}$ | | 17 | 30 | μA |
| I_{IL} | Input Leakage | $V_{IN} = 0\text{V}$ to V_{CC} | | | 0.1 | 1.0 | μA |
| I_{OL} | Output Leakage | $V_{IN} = 0\text{V}$ to V_{CC} | | | 0.1 | 1.0 | μA |
| $V_{IL1}^{(1)}$ $V_{IH1}^{(1)}$ | Input Low Voltage | $4.5\text{V} \leq V_{CC} \leq 5.5\text{V}$ | | -0.6 | | 0.8 | V |
| | Input High Voltage | | | 2.0 | | | |
| $V_{IL2}^{(1)}$ $V_{IH2}^{(1)}$ | Input Low Voltage | $1.8\text{V} \leq V_{CC} \leq 2.7\text{V}$ | | -0.6 | | $V_{CC} \times 0.3$ | V |
| | Input High Voltage | | | $V_{CC} \times 0.7$ | | | |
| V_{OL1} V_{OH1} | Output Low Voltage | $4.5\text{V} \leq V_{CC} \leq 5.5\text{V}$ | $I_{OL} = 2.1\text{ mA}$ | | | 0.4 | V |
| | Output High Voltage | | $I_{OH} = -0.4\text{ mA}$ | 2.4 | | | |
| V_{OL2} V_{OH2} | Output Low Voltage | $1.8\text{V} \leq V_{CC} \leq 2.7\text{V}$ | $I_{OL} = 0.15\text{ mA}$ | | | 0.2 | V |
| | Output High Voltage | | $I_{OH} = -100\ \mu\text{A}$ | $V_{CC} - 0.2$ | | | |

Note: 1. V_{IL} min and V_{IH} max are reference only and are not tested.



AC Characteristics

Applicable over recommended operating range from $T_A = -40^\circ\text{C}$ to $+85^\circ\text{C}$, $V_{CC} = \text{As Specified}$,
 $CL = 1$ TTL Gate and 100 pF (unless otherwise noted).

| Symbol | Parameter | Test Condition | Min | Typ | Max | Units |
|--------------------------|----------------------------|------------------------------|------------------------------|-----|------|--------------|
| f_{SK} | SK Clock Frequency | $4.5V \leq V_{CC} \leq 5.5V$ | 0 | | 2 | MHz |
| | | $2.7V \leq V_{CC} \leq 5.5V$ | 0 | | 1 | |
| | | $2.5V \leq V_{CC} \leq 5.5V$ | 0 | | 0.5 | |
| | | $1.8V \leq V_{CC} \leq 5.5V$ | 0 | | 0.25 | |
| t_{SKH} | SK High Time | $4.5V \leq V_{CC} \leq 5.5V$ | 250 | | | ns |
| | | $2.7V \leq V_{CC} \leq 5.5V$ | 250 | | | |
| | | $2.5V \leq V_{CC} \leq 5.5V$ | 500 | | | |
| | | $1.8V \leq V_{CC} \leq 5.5V$ | 1000 | | | |
| t_{SKL} | SK Low Time | $4.5V \leq V_{CC} \leq 5.5V$ | 250 | | | ns |
| | | $2.7V \leq V_{CC} \leq 5.5V$ | 250 | | | |
| | | $2.5V \leq V_{CC} \leq 5.5V$ | 500 | | | |
| | | $1.8V \leq V_{CC} \leq 5.5V$ | 1000 | | | |
| t_{CS} | Minimum CS Low Time | $4.5V \leq V_{CC} \leq 5.5V$ | 250 | | | ns |
| | | $2.7V \leq V_{CC} \leq 5.5V$ | 250 | | | |
| | | $2.5V \leq V_{CC} \leq 5.5V$ | 500 | | | |
| | | $1.8V \leq V_{CC} \leq 5.5V$ | 1000 | | | |
| t_{CSS} | CS Setup Time | Relative to SK | $4.5V \leq V_{CC} \leq 5.5V$ | 50 | | ns |
| | | | $2.7V \leq V_{CC} \leq 5.5V$ | 50 | | |
| | | | $2.5V \leq V_{CC} \leq 5.5V$ | 100 | | |
| | | | $1.8V \leq V_{CC} \leq 5.5V$ | 200 | | |
| t_{DIS} | DI Setup Time | Relative to SK | $4.5V \leq V_{CC} \leq 5.5V$ | 100 | | ns |
| | | | $2.7V \leq V_{CC} \leq 5.5V$ | 100 | | |
| | | | $2.5V \leq V_{CC} \leq 5.5V$ | 200 | | |
| | | | $1.8V \leq V_{CC} \leq 5.5V$ | 400 | | |
| t_{CSH} | CS Hold Time | Relative to SK | 0 | | | ns |
| t_{DIH} | DI Hold Time | Relative to SK | $4.5V \leq V_{CC} \leq 5.5V$ | 100 | | ns |
| | | | $2.7V \leq V_{CC} \leq 5.5V$ | 100 | | |
| | | | $2.5V \leq V_{CC} \leq 5.5V$ | 200 | | |
| | | | $1.8V \leq V_{CC} \leq 5.5V$ | 400 | | |
| t_{PD1} | Output Delay to '1' | AC Test | $4.5V \leq V_{CC} \leq 5.5V$ | | 250 | ns |
| | | | $2.7V \leq V_{CC} \leq 5.5V$ | | 250 | |
| | | | $2.5V \leq V_{CC} \leq 5.5V$ | | 500 | |
| | | | $1.8V \leq V_{CC} \leq 5.5V$ | | 1000 | |
| t_{PD0} | Output Delay to '0' | AC Test | $4.5V \leq V_{CC} \leq 5.5V$ | | 250 | ns |
| | | | $2.7V \leq V_{CC} \leq 5.5V$ | | 250 | |
| | | | $2.5V \leq V_{CC} \leq 5.5V$ | | 500 | |
| | | | $1.8V \leq V_{CC} \leq 5.5V$ | | 1000 | |
| t_{SV} | CS to Status Valid | AC Test | $4.5V \leq V_{CC} \leq 5.5V$ | | 250 | ns |
| | | | $2.7V \leq V_{CC} \leq 5.5V$ | | 250 | |
| | | | $2.5V \leq V_{CC} \leq 5.5V$ | | 500 | |
| | | | $1.8V \leq V_{CC} \leq 5.5V$ | | 1000 | |
| t_{DF} | CS to DO in High Impedance | AC Test CS = V_{IL} | $4.5V \leq V_{CC} \leq 5.5V$ | | 100 | ns |
| | | | $2.7V \leq V_{CC} \leq 5.5V$ | | 100 | |
| | | | $2.5V \leq V_{CC} \leq 5.5V$ | | 200 | |
| | | | $1.8V \leq V_{CC} \leq 5.5V$ | | 400 | |
| t_{WP} | Write Cycle Time | | 0.1 | | 10 | ms |
| | | $4.5V \leq V_{CC} \leq 5.5V$ | | 1 | | ms |
| Endurance ⁽¹⁾ | 5.0V, 25°C, Page Mode | | 1M | | | Write Cycles |

Note: 1. This parameter is characterized and is not 100% tested.

Instruction Set for the AT93C46

| Instruction | SB | Op Code | Address | | Data | | Comments |
|-------------|----|---------|---------------------------------|---------------------------------|---------------------------------|----------------------------------|----------------------------------------------------------------------------|
| | | | x 8 | x 16 | x 8 | x 16 | |
| READ | 1 | 10 | A ₆ - A ₀ | A ₅ - A ₀ | | | Reads data stored in memory, at specified address. |
| EWEN | 1 | 00 | 11XXXXXX | 11XXXX | | | Write enable must precede all programming modes. |
| ERASE | 1 | 11 | A ₆ - A ₀ | A ₅ - A ₀ | | | Erase memory location A _n - A ₀ . |
| WRITE | 1 | 01 | A ₆ - A ₀ | A ₅ - A ₀ | D ₇ - D ₀ | D ₁₅ - D ₀ | Writes memory location A _n - A ₀ . |
| ERAL | 1 | 00 | 10XXXXXX | 10XXXX | | | Erases all memory locations. Valid only at V _{CC} = 4.5V to 5.5V. |
| WRAL | 1 | 00 | 01XXXXXX | 01XXXX | D ₇ - D ₀ | D ₁₅ - D ₀ | Writes all memory locations. Valid only at V _{CC} = 4.5V to 5.5V. |
| EWDS | 1 | 00 | 00XXXXXX | 00XXXX | | | Disables all programming instructions. |

Instruction Set for the AT93C57

| Instruction | SB | Op Code | Address | | Data | | Comments |
|-------------|----|---------|---------------------------------|---------------------------------|---------------------------------|----------------------------------|----------------------------------------------------------------------------|
| | | | x 8 | x 16 | x 8 | x 16 | |
| READ | 1 | 10 | A ₇ - A ₀ | A ₆ - A ₀ | | | Reads data stored in memory, at specified address. |
| EWEN | 1 | 00 | 11XXXXXX | 11XXXXXX | | | Write enable must precede all programming modes. |
| ERASE | 1 | 11 | A ₇ - A ₀ | A ₆ - A ₀ | | | Erase memory location A _n - A ₀ . |
| WRITE | 1 | 01 | A ₇ - A ₀ | A ₆ - A ₀ | D ₇ - D ₀ | D ₁₅ - D ₀ | Writes memory location A _n - A ₀ . |
| ERAL | 1 | 00 | 10XXXXXX | 10XXXXXX | | | Erases all memory locations. Valid only at V _{CC} = 4.5V to 5.5V. |
| WRAL | 1 | 00 | 01XXXXXX | 01XXXXXX | D ₇ - D ₀ | D ₁₅ - D ₀ | Writes all memory locations. Valid only at V _{CC} = 4.5V to 5.5V. |
| EWDS | 1 | 00 | 00XXXXXX | 00XXXXXX | | | Disables all programming instructions. |

Instruction Set for the AT93C56 and AT93C66

| Instruction | SB | Op Code | Address | | Data | | Comments |
|-------------|----|---------|---------------------------------|---------------------------------|---------------------------------|----------------------------------|----------------------------------------------------------------------------------------------------|
| | | | x 8 | x 16 | x 8 | x 16 | |
| READ | 1 | 10 | A ₈ - A ₀ | A ₇ - A ₀ | | | Reads data stored in memory, at specified address. |
| EWEN | 1 | 00 | 11XXXXXXXX | 11XXXXXX | | | Write enable must precede all programming modes. |
| ERASE | 1 | 11 | A ₈ - A ₀ | A ₇ - A ₀ | | | Erases memory location A _n - A ₀ . |
| WRITE | 1 | 01 | A ₈ - A ₀ | A ₇ - A ₀ | D ₇ - D ₀ | D ₁₅ - D ₀ | Writes memory location A _n - A ₀ . |
| ERAL | 1 | 00 | 10XXXXXXXX | 10XXXXXX | | | Erases all memory locations. Valid only at V _{CC} = 4.5V to 5.5V. |
| WRAL | 1 | 00 | 01XXXXXXXX | 01XXXXXX | D ₇ - D ₀ | D ₁₅ - D ₀ | Writes all memory locations. Valid when V _{CC} = 5.0V ± 10% and Disable Register cleared. |
| EWDS | 1 | 00 | 00XXXXXXXX | 00XXXXXX | | | Disables all programming instructions. |

Functional Description

The AT93C46/56/57/66 is accessed via a simple and versatile 3-wire serial communication interface. Device operation is controlled by seven instructions issued by the host processor. **A valid instruction starts with a rising edge of CS** and consists of a Start Bit (logic '1') followed by the appropriate Op Code and the desired memory Address location.

READ (READ): The Read (READ) instruction contains the Address code for the memory location to be read. After the instruction and address are decoded, data from the selected memory location is available at the serial output pin DO. Output data changes are synchronized with the rising edges of serial clock SK. It should be noted that a dummy bit (logic '0') precedes the 8- or 16-bit data output string.

ERASE/WRITE (EWEN): To assure data integrity, the part automatically goes into the Erase/Write Disable (EWDS) state when power is first applied. An Erase/Write Enable (EWEN) instruction must be executed first before any programming instructions can be carried out. Please note that once in the Erase/Write Enable state, programming remains enabled until an Erase/Write Disable (EWDS) instruction is executed or V_{CC} power is removed from the part.

ERASE (ERASE): The Erase (ERASE) instruction programs all bits in the specified memory location to the logical '1' state. The self-timed erase cycle starts once the ERASE instruction and address are decoded. The DO pin outputs the READY/BUSY status of the part if CS is brought high after being kept low for a minimum of 250 ns (t_{CS}). A logic '1' at pin DO indicates that the selected memory location has been erased, and the part is ready for another instruction.

WRITE (WRITE): The Write (WRITE) instruction contains the 8 or 16 bits of data to be written into the specified memory location. The self-timed programming cycle, t_{WP}, starts after the last bit of data is received at serial data input pin DI. The DO pin outputs the READY/BUSY status of the part if CS is brought high after being kept low for a minimum of 250 ns (t_{CS}). A logic '0' at DO indicates that programming is still in progress. A logic '1' indicates that the memory location at the specified address has been written with the data pattern contained in the instruction and the part is ready for further instructions. **A READY/BUSY status cannot be obtained if the CS is brought high after the end of the self-timed programming cycle, t_{WP}.**

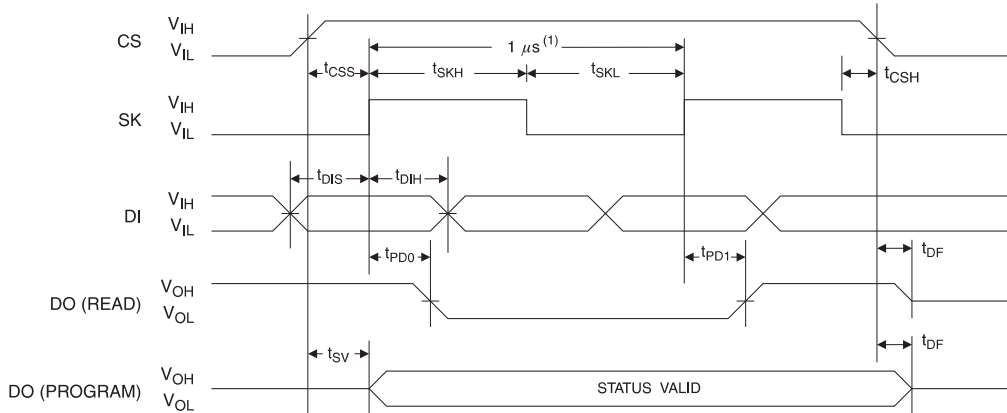
ERASE ALL (ERAL): The Erase All (ERAL) instruction programs every bit in the memory array to the logic '1' state and is primarily used for testing purposes. The DO pin outputs the READY/BUSY status of the part if CS is brought high after being kept low for a minimum of 250 ns (t_{CS}). The ERAL instruction is valid only at V_{CC} = 5.0V ± 10%.

WRITE ALL (WRAL): The Write All (WRAL) instruction programs all memory locations with the data patterns specified in the instruction. The DO pin outputs the READY/BUSY status of the part if CS is brought high after being kept low for a minimum of 250 ns (t_{CS}). The WRAL instruction is valid only at V_{CC} = 5.0V ± 10%.

ERASE/WRITE DISABLE (EWDS): To protect against accidental data disturb, the Erase/Write Disable (EWDS) instruction disables all programming modes and should be executed after all programming operations. The operation of the READ instruction is independent of both the EWEN and EWDS instructions and can be executed at any time.

Timing Diagrams

Synchronous Data Timing



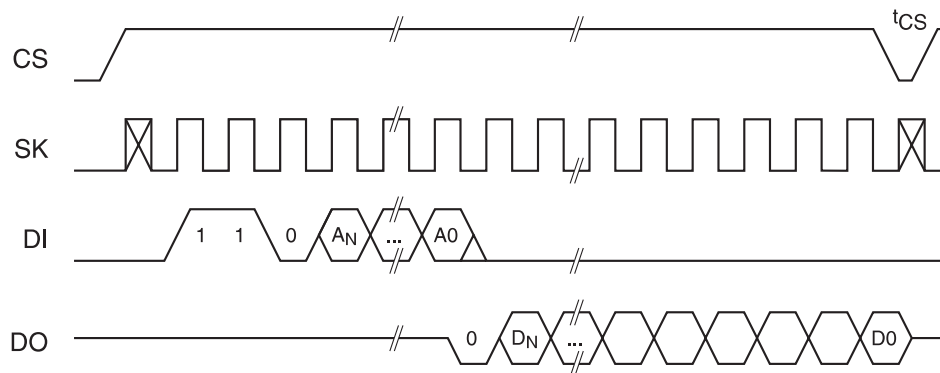
Note: 1. This is the minimum SK period.

Organization Key for Timing Diagrams

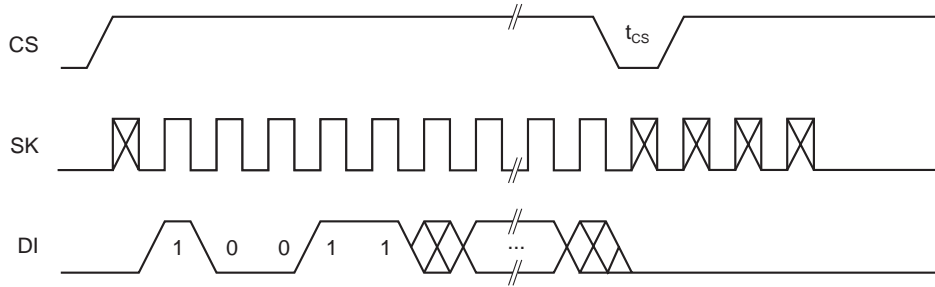
| I/O | AT93C46 (1K) | | AT93C56 (2K) | | AT93C57 (2K) | | AT93C66 (4K) | |
|-------|--------------|----------|--------------|----------|--------------|----------|--------------|----------|
| | x 8 | x 16 | x 8 | x 16 | x 8 | x 16 | x 8 | x 16 |
| A_N | A_6 | A_5 | $A_8^{(1)}$ | A_7 | A_7 | A_6 | A_8 | A_7 |
| D_N | D_7 | D_{15} | D_7 | D_{15} | D_7 | D_{15} | D_7 | D_{15} |

Note: 1. A_8 is a DON'T CARE value, but the extra clock is required.

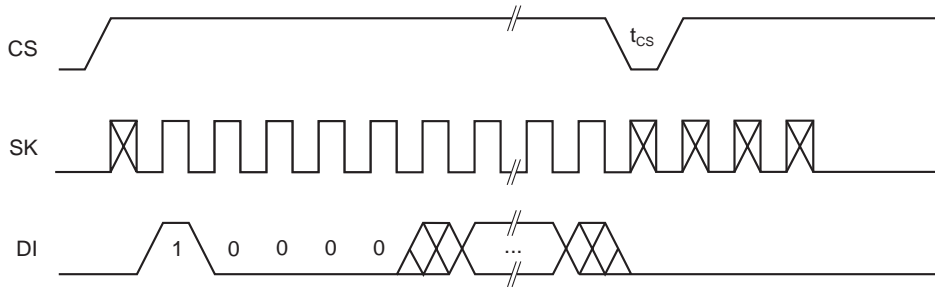
READ Timing



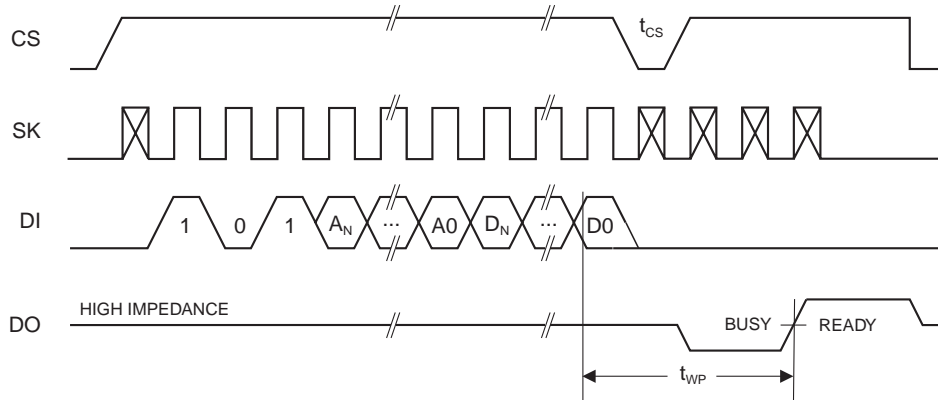
EWEN Timing



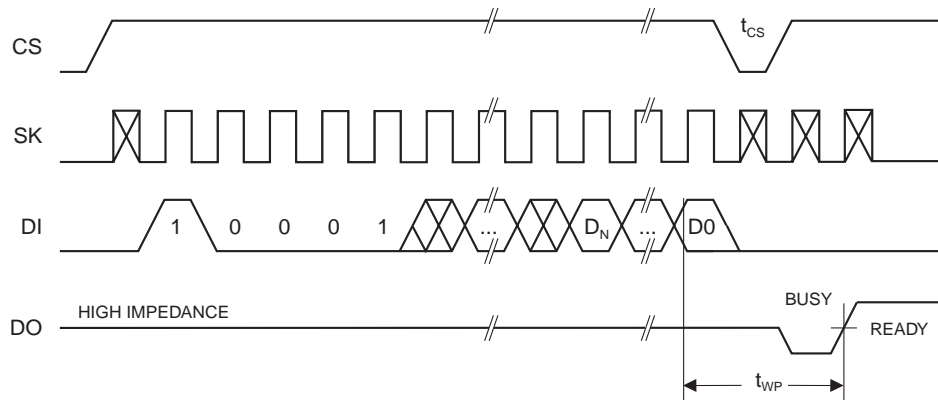
EWDS Timing



WRITE Timing

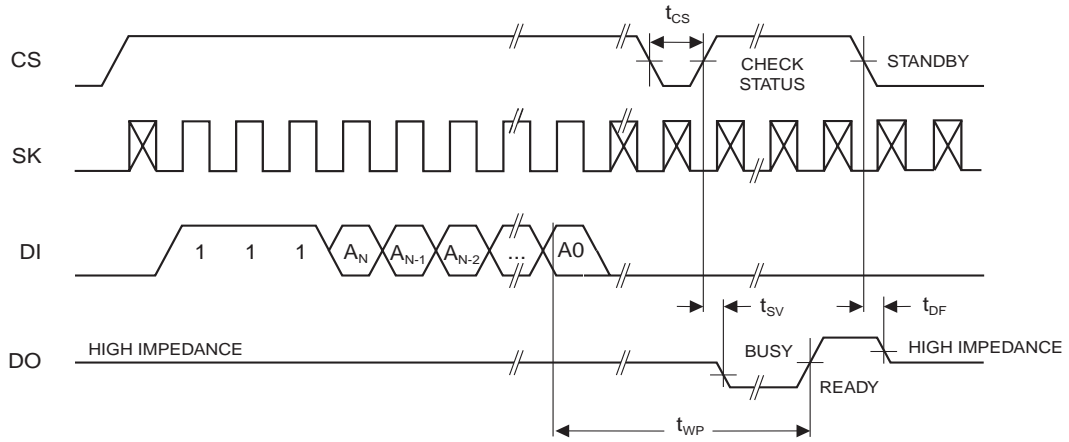


WRAL Timing⁽¹⁾

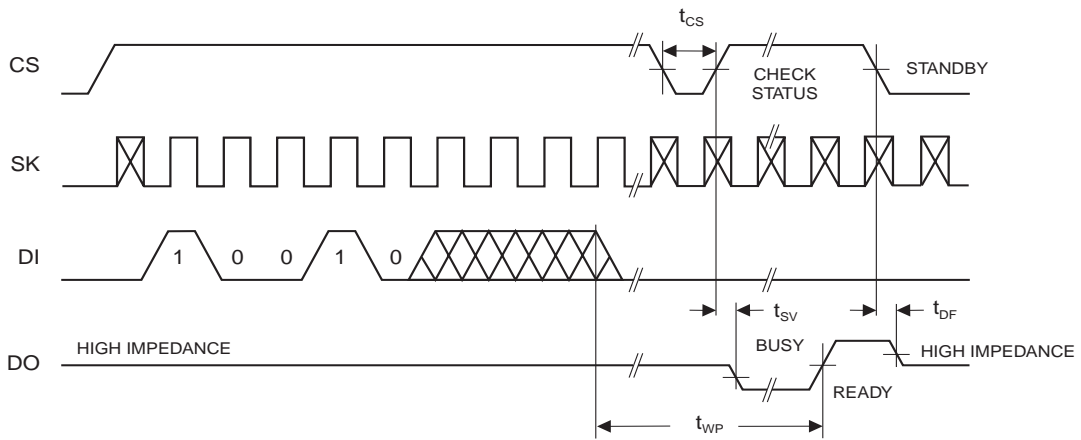


Note: 1. Valid only at $V_{CC} = 4.5V$ to $5.5V$.

ERASE Timing



TERAL Timing⁽¹⁾



Note: 1. Valid only at $V_{CC} = 4.5V$ to $5.5V$.



AT93C46 Ordering Information

| t_{WP} (max) (ms) | I_{CC} (max) (μ A) | I_{SB} (max) (μ A) | f_{MAX} (kHz) | Ordering Code | Package | Operation Range |
|------------------------|------------------------------|------------------------------|--------------------|----------------------------------------------------------------------------------------------------|--------------------------------|-------------------------------|
| 10 | 2000 | 30.0 | 2000 | AT93C46-10PC AT93C46-10SC AT93C46R-10SC AT93C46W-10SC AT93C46-10TC | 8P3 8S1 8S1 8S2 8T | Commercial (0°C to 70°C) |
| | | 30.0 | 2000 | AT93C46-10PI AT93C46-10SI AT93C46R-10SI AT93C46W-10SI AT93C46-10TI | 8P3 8S1 8S1 8S2 8T | Industrial (-40°C to 85°C) |
| 10 | 800 | 10.0 | 1000 | AT93C46-10PC-2.7 AT93C46-10SC-2.7 AT93C46R-10SC-2.7 AT93C46W-10SC-2.7 AT93C46-10TC-2.7 | 8P3 8S1 8S1 8S2 8T | Commercial (0°C to 70°C) |
| | | 10.0 | 1000 | AT93C46-10PI-2.7 AT93C46-10SI-2.7 AT93C46R-10SI-2.7 AT93C46W-10SI-2.7 AT93C46-10TI-2.7 | 8P3 8S1 8S1 8S2 8T | Industrial (-40°C to 85°C) |

| Package Type | |
|--------------|-------------------------------------------------------------------|
| 8P3 | 8-Lead, 0.300" Wide, Plastic Dual Inline Package (PDIP) |
| 8S1 | 8-Lead, 0.150" Wide, Plastic Gull Wing Small Outline (JEDEC SOIC) |
| 8S2 | 8-Lead, 0.200" Wide, Plastic Gull Wing Small Outline (EIAJ SOIC) |
| 8T | 8-Lead, 0.170" Wide, Thin Shrink Small Outline Package (TSSOP) |
| Options | |
| Blank | Standard Operation (4.5V to 5.5V) |
| -2.7 | Low Voltage (2.7V to 5.5V) |
| -2.5 | Low Voltage (2.5V to 5.5V) |
| R | Rotated Pinout |

AT93C46 Ordering Information (Continued)

| t_{WP} (max) (ms) | I_{CC} (max) (μ A) | I_{SB} (max) (μ A) | f_{MAX} (kHz) | Ordering Code | Package | Operation Range |
|------------------------|------------------------------|------------------------------|--------------------|----------------------------------------------------------------------------------------------------|--------------------------------|-------------------------------|
| 10 | 600 | 10.0 | 500 | AT93C46-10PC-2.5 AT93C46-10SC-2.5 AT93C46R-10SC-2.5 AT93C46W-10SC-2.5 AT93C46-10TC-2.5 | 8P3 8S1 8S1 8S2 8T | Commercial (0°C to 70°C) |
| | | 10.0 | 500 | AT93C46-10PI-2.5 AT93C46-10SI-2.5 AT93C46R-10SI-2.5 AT93C46W-10SI-2.5 AT93C46-10TI-2.5 | 8P3 8S1 8S1 8S2 8T | Industrial (-40°C to 85°C) |
| 10 | 80 | 0.1 | 250 | AT93C46-10PC-1.8 AT93C46-10SC-1.8 AT93C46R-10SC-1.8 AT93C46W-10SC-1.8 AT93C46-10TC-1.8 | 8P3 8S1 8S1 8S2 8T | Commercial (0°C to 70°C) |
| | | 0.1 | 250 | AT93C46-10PI-1.8 AT93C46-10SI-1.8 AT93C46R-10SI-1.8 AT93C46W-10SI-1.8 AT93C46-10TI-1.8 | 8P3 8S1 8S1 8S2 8T | Industrial (-40°C to 85°C) |

| Package Type | |
|--------------|-------------------------------------------------------------------|
| 8P3 | 8-Lead, 0.300" Wide, Plastic Dual Inline Package (PDIP) |
| 8S1 | 8-Lead, 0.150" Wide, Plastic Gull Wing Small Outline (JEDEC SOIC) |
| 8S2 | 8-Lead, 0.200" Wide, Plastic Gull Wing Small Outline (EIAJ SOIC) |
| 8T | 8-Lead, 0.170" Wide, Thin Shrink Small Outline Package (TSSOP) |
| Options | |
| Blank | Standard Operation (4.5V to 5.5V) |
| -2.7 | Low Voltage (2.7V to 5.5V) |
| -2.5 | Low Voltage (2.5V to 5.5V) |
| R | Rotated Pinout |





AT93C56 Ordering Information

| t_{WP} (max) (ms) | I_{CC} (max) (μ A) | I_{SB} (max) (μ A) | f_{MAX} (kHz) | Ordering Code | Package | Operation Range |
|------------------------|------------------------------|------------------------------|--------------------|-----------------------------------------------------------|-------------------|-------------------------------|
| 10 | 2000 | 30.0 | 2000 | AT93C56-10PC AT93C56-10SC AT93C56W-10SC | 8P3 8S1 8S2 | Commercial (0°C to 70°C) |
| | | 30.0 | 2000 | AT93C56-10PI AT93C56-10SI AT93C56W-10SI | 8P3 8S1 8S2 | Industrial (-40°C to 85°C) |
| 10 | 800 | 10.0 | 1000 | AT93C56-10PC-2.7 AT93C56-10SC-2.7 AT93C56W-10SC-2.7 | 8P3 8S1 8S2 | Commercial (0°C to 70°C) |
| | | 10.0 | 1000 | AT93C56-10PI-2.7 AT93C56-10SI-2.7 AT93C56W-10SI-2.7 | 8P3 8S1 8S2 | Industrial (-40°C to 85°C) |
| 10 | 600 | 10.0 | 500 | AT93C56-10PC-2.5 AT93C56-10SC-2.5 AT93C56W-10SC-2.5 | 8P3 8S1 8S2 | Commercial (0°C to 70°C) |
| | | 10.0 | 500 | AT93C56-10PI-2.5 AT93C56-10SI-2.5 AT93C56W-10SI-2.5 | 8P3 8S1 8S2 | Industrial (-40°C to 85°C) |

| Package Type | |
|--------------|-------------------------------------------------------------------|
| 8P3 | 8-Lead, 0.300" Wide, Plastic Dual Inline Package (PDIP) |
| 8S1 | 8-Lead, 0.150" Wide, Plastic Gull Wing Small Outline (JEDEC SOIC) |
| 8S2 | 8-Lead, 0.200" Wide, Plastic Gull Wing Small Outline (EIAJ SOIC) |
| Options | |
| Blank | Standard Operation (4.5V to 5.5V) |
| -2.7 | Low Voltage (2.7V to 5.5V) |
| -2.5 | Low Voltage (2.5V to 5.5V) |
| R | Rotated Pinout |

AT93C57 Ordering Information

| t_{WP} (max) (ms) | I_{CC} (max) (μ A) | I_{SB} (max) (μ A) | f_{MAX} (kHz) | Ordering Code | Package | Operation Range |
|------------------------|------------------------------|------------------------------|--------------------|-----------------------------------------------------------|-------------------|-------------------------------|
| 10 | 2000 | 30.0 | 2000 | AT93C57-10PC AT93C57-10SC AT93C57W-10SC | 8P3 8S1 8S2 | Commercial (0°C to 70°C) |
| | | 30.0 | 2000 | AT93C57-10PI AT93C57-10SI AT93C57W-10SI | 8P3 8S1 8S2 | Industrial (-40°C to 85°C) |
| 10 | 800 | 10.0 | 1000 | AT93C57-10PC-2.7 AT93C57-10SC-2.7 AT93C57W-10SC-2.7 | 8P3 8S1 8S2 | Commercial (0°C to 70°C) |
| | | 10.0 | 1000 | AT93C57-10PI-2.7 AT93C57-10SI-2.7 AT93C57W-10SI-2.7 | 8P3 8S1 8S2 | Industrial (-40°C to 85°C) |

| Package Type | |
|--------------|-------------------------------------------------------------------|
| 8P3 | 8-Lead, 0.300" Wide, Plastic Dual Inline Package (PDIP) |
| 8S1 | 8-Lead, 0.150" Wide, Plastic Gull Wing Small Outline (JEDEC SOIC) |
| 8S2 | 8-Lead, 0.200" Wide, Plastic Gull Wing Small Outline (EIAJ SOIC) |
| Options | |
| Blank | Standard Operation (4.5V to 5.5V) |
| -2.7 | Low Voltage (2.7V to 5.5V) |
| -2.5 | Low Voltage (2.5V to 5.5V) |
| R | Rotated Pinout |





AT93C66 Ordering Information

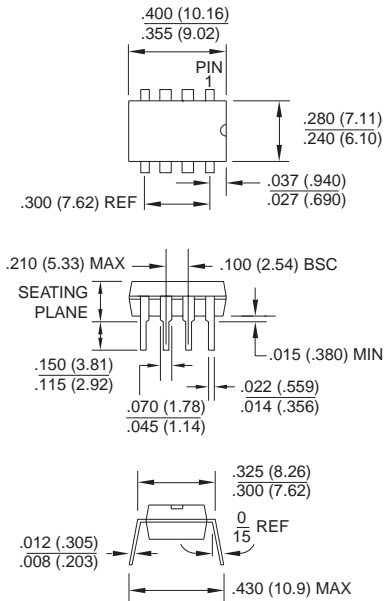
| t_{WP} (max) (ms) | I_{CC} (max) (μ A) | I_{SB} (max) (μ A) | f_{MAX} (kHz) | Ordering Code | Package | Operation Range |
|------------------------|------------------------------|------------------------------|--------------------|-----------------------------------------------------------|-------------------|-------------------------------|
| 10 | 2000 | 30.0 | 2000 | AT93C66-10PC AT93C66-10SC AT93C66W-10SC | 8P3 8S1 8S2 | Commercial (0°C to 70°C) |
| | | 30.0 | 2000 | AT93C66-10PI AT93C66-10SI AT93C66W-10SI | 8P3 8S1 8S2 | Industrial (-40°C to 85°C) |
| 10 | 800 | 10.0 | 1000 | AT93C66-10PC-2.7 AT93C66-10SC-2.7 AT93C66W-10SC-2.7 | 8P3 8S1 8S2 | Commercial (0°C to 70°C) |
| | | 10.0 | 1000 | AT93C66-10PI-2.7 AT93C66-10SI-2.7 AT93C66W-10SI-2.7 | 8P3 8S1 8S2 | Industrial (-40°C to 85°C) |
| 10 | 600 | 10.0 | 500 | AT93C66-10PC-2.5 AT93C66-10SC-2.5 AT93C66W-10SC-2.5 | 8P3 8S1 8S2 | Commercial (0°C to 70°C) |
| | | 10.0 | 500 | AT93C66-10PI-2.5 AT93C66-10SI-2.5 AT93C66W-10SI-2.5 | 8P3 8S1 8S2 | Industrial (-40°C to 85°C) |

| Package Type | |
|--------------|-------------------------------------------------------------------|
| 8P3 | 8-Lead, 0.300" Wide, Plastic Dual Inline Package (PDIP) |
| 8S1 | 8-Lead, 0.150" Wide, Plastic Gull Wing Small Outline (JEDEC SOIC) |
| 8S2 | 8-Lead, 0.200" Wide, Plastic Gull Wing Small Outline (EIAJ SOIC) |
| Options | |
| Blank | Standard Operation (4.5V to 5.5V) |
| -2.7 | Low Voltage (2.7V to 5.5V) |
| -2.5 | Low Voltage (2.5V to 5.5V) |
| R | Rotated Pinout |

Packaging Information

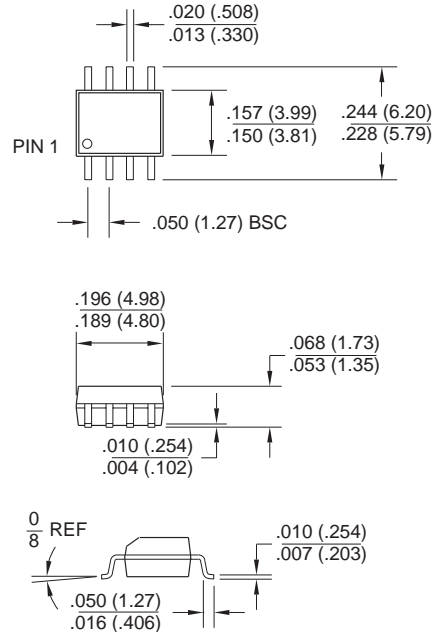
8P3, 8-Lead, 0.300" Wide, Plastic Dual Inline Package (PDIP)

Dimensions in Inches and (Millimeters)
JEDEC STANDARD MS-001 BA



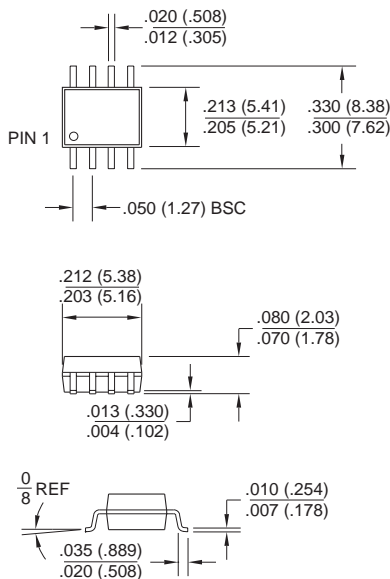
8S1, 8-Lead, 0.150" Wide, Plastic Gull Wing Small Outline (JEDEC SOIC)

Dimensions in Inches and (Millimeters)



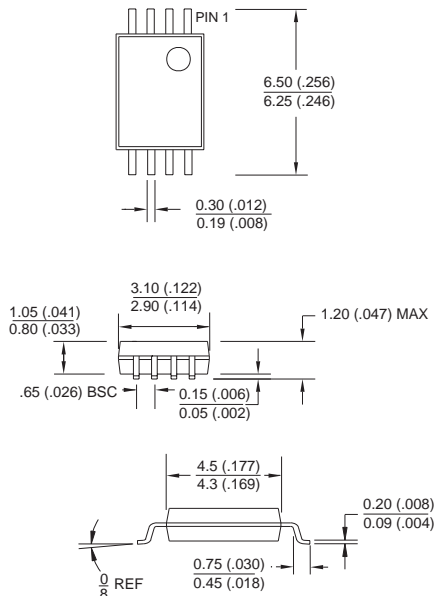
8S2, 8-Lead, 0.200" Wide, Plastic Gull Wing Small Outline (EIAJ SOIC)

Dimensions in Inches and (Millimeters)



8T, 8-Lead, 0.170" Wide Thin Shrink Small Outline Package (TSSOP)

Dimensions in Millimeters and (Inches)*



*Controlling dimension: millimeters